

ABB general purpose drives

Hardware manual ACS480 drives



Power and productivity
for a better world™



List of related manuals

Drive manuals and guides	Code (English)
<i>ACS480 drives hardware manual</i>	3AXD50000047392
<i>ACS480 quick installation and start-up guide</i>	3AXD50000047400
<i>ACS480 standard control program firmware manual</i>	3AXD50000047399
Option manuals and guides	
<i>ACS-AP-x assistant control panel user's manual</i>	3AUA0000085685
<i>ACS-BP-S basic control panel user's manual</i>	3AXD50000032527
<i>DPMP-01 mounting platform for ACP-AP control panel</i>	3AUA0000100140
<i>DPMP-02/03 mounting platform for ACP-AP control panel</i>	3AUA0000136205
<i>FDNA-01 DeviceNet adapter module quick guide</i>	3AXD50000158515
<i>FEIP-21 Ethernet/IP adapter module quick guide</i>	3AXD50000158584
<i>FENA-01/-11/-21 Ethernet adapter module user's manual</i>	3AUA0000093568
<i>FMBT-21 Modbus/TCP adapter module quick guide</i>	3AXD50000158560
<i>FPBA-01 PROFIBUS DP adapter module user's manual</i>	3AFE68573271
<i>FPNO-21 PROFINET adapter module quick guide</i>	3AXD50000158577
<i>FDNA-01 DeviceNet adapter module quick guide</i>	3AXD50000158515
Tool and maintenance manuals and guides	
<i>Drive composer PC tool user's manual</i>	3AUA0000094606
<i>Converter module capacitor reforming instructions</i>	3BFE64059629
<i>NETA-21 remote monitoring tool user's manual</i>	3AUA00000969391
<i>NETA-21 remote monitoring tool installation and start-up guide</i>	3AUA0000096881

You can find manuals and other product documents in PDF format on the Internet. Refer to [Document library on the Internet](#) on the inside of the back cover. For manuals not available in the Document library, contact your local ABB representative.

The QR code opens an online listing of the manuals applicable to this product.



Hardware manual

ACS480 drives

Table of contents



1. Safety instructions



4. Mechanical installation



6. Electrical installation



Table of contents

List of related manuals	2
-------------------------------	---

1. Safety instructions

Contents of this chapter	11
Use of warnings and notes in this manual	11
General safety in installation, start-up and maintenance	12
Electrical safety in installation, start-up and maintenance	13
Precautions before electrical work	13
Additional instructions and notes	14
Grounding	15
Additional instructions for permanent magnet motor drives	16
Safety in installation, start-up and maintenance	16
General safety in operation	17

2. Introduction to the manual

Contents of this chapter	19
Applicability	19
Target audience	19
Purpose of the manual	19
Contents of this manual	20
Related documents	20
Categorization by frame (size)	20
Quick installation and commissioning flowchart	21

3. Hardware description

Contents of this chapter	25
General description	25
Product variants	25
Hardware overview	26
Control connections	27
Standard unit	27
Base unit	28
Mounted options	29
Control panel	29
PC connection	29
Drive labels	30
Model information label	30
Software information label	30
Type designation label	31
Type designation key	32
Operation principle	34



4. Mechanical installation

Contents of this chapter	35
Examining the installation site	36
Required tools	36
Unpacking the delivery	37
Installing the drive	38
To install the drive with screws	38
To install the drive to a DIN installation rail	39

5. Planning the electrical installation

Contents of this chapter	41
Selecting the supply disconnecting device	41
European Union	41
Other regions	42
Checking the compatibility of the motor and drive	42
Selecting the power cables	42
Typical power cable sizes	43
Recommended power cable types	45
Power cable types for limited use	45
Not allowed power cable types	45
Motor cable shield	46
Additional US requirements	46
Selecting the control cables	48
Shielding	48
Signals in separate cables	48
Signals that can be run in the same cable	48
Relay cable	48
Drive composer PC tool cable	48
Routing the cables	49
Separate control cable ducts	50
Continuous motor cable shield or conduit	50
Implementing short-circuit protection	50
Protecting the drive and input power cable in short-circuits	50
Protecting the motor and motor cable in short-circuits	50
Implementing thermal overload protection	51
Protecting the drive, and the input power and motor cables against thermal overload	51
Protecting the motor against thermal overload	51
Protecting the drive against ground faults	51
Residual current device compatibility	51
Implementing the emergency stop function	51
Implementing the Safe torque off function	52
Using a safety switch between the drive and motor	52
Using a contactor between the drive and motor	52
Protecting the contacts of relay outputs	53

6. Electrical installation

Contents of this chapter	55
Warnings	55



Required tools	55
Measuring insulation	56
Drive	56
Input power cable	56
Motor and motor cable	56
Brake resistor assembly	56
Compatibility with IT (ungrounded) and corner-grounded TN systems	57
EMC filter	57
EMC filter disconnection	57
Ground-to-phase varistor	58
Connecting the power cables	59
Connection diagram	59
Connection procedure	60
Connecting the control cables	62
Default I/O connection diagram (ABB standard macro)	63
Connecting EIA-485 Modbus RTU terminal to the drive	65
Control cable connection procedure	67
Auxiliary voltage connection	68
Option modules	69
To install a front option	69
To remove a front option	71
To install a side option	71
To remove a side option	71



7. Installation checklist

Contents of this chapter	73
Warnings	73
Checklist	73

8. Maintenance

Contents of this chapter	75
Maintenance intervals	76
Cleaning the heat sink	77
Replacing the cooling fans	78
To replace the cooling fan for frame sizes R1, R2 and R3	78
To replace the cooling fan for frame R4	80
Servicing the capacitors	82
Capacitor reforming	82

9. Technical data

Contents of this chapter	83
Ratings	84
IEC ratings	84
NEMA ratings	85
Definitions	85
Sizing	85
Derating	86
Surrounding air temperature derating, IP20	86

8 Table of contents

Switching frequency derating	87
Altitude derating	88
Fuses (IEC)	89
gG fuses	89
gR fuses	90
UL fuses	92
Alternate short-circuit protection	93
Miniature circuit breakers (IEC environment)	93
Self-protected combination manual controller – Type E	
USA (UL) environment	94
Dimensions and weights	96
Free space requirements	97
Losses, cooling data and noise	97
Terminal data for the power cables	99
Terminal data for the control cables	100
External EMC filters	101
Electric power network specification	102
Motor cable length	103
Motor connection data	103
Control connection data	105
Brake resistor connection	106
Efficiency	106
Degrees of protection	106
Ambient conditions	107
Materials	108
Applicable standards	109
CE marking	110
Compliance with the European Low Voltage Directive	110
Compliance with the European EMC Directive	110
Compliance with the European RoHS Directive	110
Compliance with the European WEEE Directive	110
Compliance with the European Machinery Directive	111
Compliance with EN 61800-3:2004 + A1:2012	112
Definitions	112
Category C1	112
Category C2	112
Category C4	114
UL marking	115
UL checklist	115
CSA marking	115
RCM marking	115
EAC marking	116
China RoHS marking	116
Disclaimers	116
Generic disclaimer	116
Cyber security disclaimer	116

10. Dimension drawings

Frame R0 (230 V) (front & side)	118
Frame R0 (230 V) (bottom & rear)	119

Frame R1 (400 V) (front & side)	120
Frame R1 (400 V) (bottom & rear)	121
Frame R2 (400 V) (front & side)	122
Frame R2 (400 V) (bottom & rear)	123
Frame R3 (front & side)	124
Frame R3 (bottom & rear)	125
Frame R4 (front & side)	126
Frame R4 ()	127

11. Resistor braking

Contents of this chapter	129
Operation principle and hardware description	129
Selecting the brake resistor	129
Reference brake resistors	131
Selecting and routing the brake resistor cables	132
Minimizing electromagnetic interference	132
Maximum cable length	132
EMC compliance of the complete installation	132
Placing the brake resistor	132
Protecting the system in brake circuit fault situations	133
Protecting the system in cable and brake resistor short-circuit situations	133
Protecting the system against thermal overload	133
Mechanical installation	133
Electrical installation	134
Checking the insulation of the assembly	134
Connection diagram	134
Connection procedure	134
Start-up	135



12. Safe torque off function

Contents of this chapter	137
Description	137
Compliance with the European Machinery Directive	138
Connection principle	139
Connection with internal +24 V DC power supply	139
Connection with external +24 V DC power supply	139
Wiring examples	140
Activation switch	140
Cable types and lengths	141
Grounding of protective shields	141
Operation principle	141
Start-up including acceptance test	142
Competence	142
Acceptance test reports	142
Acceptance test procedure	143
Use	144
Maintenance	146
Competence	146
Fault tracing	146

Safety data	148
Abbreviations	150
Declaration of conformity	150

13. BAPO-01 power extension module

Contents of this chapter	151
Safety instructions	151
Hardware description	152
Product overview	152
Layout	152
Mechanical installation	153
Electrical installation	153
Start-up	153
Technical data	154
Voltage and current rating for the auxiliary power supply	154
Power loss	154
Dimensions	154



14. BIO-01 I/O extension module

Contents of this chapter	155
Safety instructions	155
Hardware description	156
Product overview	156
Layout	156
Mechanical installation	156
Electrical installation	157
Start-up	157
Technical data	158
Control connection data	158
Dimensions	158

Further information

Product and service inquiries	159
Product training	159
Providing feedback on ABB Drives manuals	159
Document library on the Internet	159

1

Safety instructions

Contents of this chapter

This chapter contains the safety instructions which you must obey when you install and operate the drive and do maintenance on the drive. Obey the safety instructions to prevent injury, death or damage to the equipment.

Use of warnings and notes in this manual

Warnings tell you about conditions which can cause injury or death, or damage to the equipment. They also tell you how to prevent the danger. Notes draw attention to a particular condition or fact, or give information on a subject.

The manual uses these warning symbols:



Electricity warning tells you about hazards from electricity which can cause injury or death, or damage to the equipment.



General warning tells you about conditions, other than those caused by electricity, which can cause injury or death, or damage to the equipment.




Electrostatic sensitive devices warning tells you about the risk of electrostatic discharge which can cause damage to the equipment.



General safety in installation, start-up and maintenance

These instructions are for all personnel that install the drive and do maintenance work on it.

 **WARNING!** Obey these instructions. If you ignore them, injury or death, or damage to the equipment can occur.

- Handle the drive carefully.
- Use safety shoes with a metal toe cap.
- Keep the drive in its package or protect it otherwise from dust and burr from drilling and grinding until you install it.
- Vacuum clean the area below the drive before the start-up to prevent the drive cooling fan from drawing the dust inside the drive.
- Protect also the installed drive against dust and burr. Electrically conductive debris inside the drive may cause damage or malfunction.
- Do not cover the air inlet and outlet when the drive runs.
- Make sure that there is sufficient cooling.
- Before you connect voltage to the drive, make sure that the drive covers are on. Keep the covers on during operation.
- Before you adjust the drive operation limits, make sure that the motor and all driven equipment can operate throughout the set operation limits.
- Before you activate the automatic fault reset or automatic restart functions of the drive control program, make sure that no dangerous situations can occur. These functions reset the drive automatically and continue operation after a fault or supply break. If these functions are activated, the installation must be clearly marked as defined in IEC/EN 61800-5-1, subclause 6.5.3, for example, "THIS MACHINE STARTS AUTOMATICALLY".
- The maximum number of drive power-ups is two per minute. Too frequent power-ups can damage the charging circuit of the DC capacitors. The maximum total number of chargings is 15000.
- If you have connected safety circuits to the drive (for example, emergency stop and Safe torque off), validate them at the start up.

Note:

- If you select an external source for start command and it is on, the drive will start immediately after a fault reset, unless you configure the drive for pulse start.
 - When the control location is not set to local, the stop key on the control panel does not stop the drive.
 - Drives can be repaired only by an authorized person.
-

Electrical safety in installation, start-up and maintenance

■ Precautions before electrical work

These warnings are for all personnel who do work on the drive, motor cable or motor.



WARNING! Obey these instructions. If you ignore them, injury or death, or damage to the equipment can occur. If you are not a qualified electrician, do not do electrical installation or maintenance work. Do these steps before you begin any installation or maintenance work.

1. Clearly identify the work location.
 2. Disconnect all possible voltage sources.
 - Open the main disconnecter at the power supply of the drive.
 - Make sure that reconnection is not possible. Lock the disconnecter to open position and attach a warning notice to it.
 - Disconnect any external power sources from the control circuits before you do work on the control cables.
 - After you disconnect the drive, always wait for 5 minutes to let the intermediate circuit capacitors discharge before you continue.
 3. Protect any other energized parts in the work location against contact.
 4. Take special precautions when close to bare conductors.
 5. Measure that the installation is de-energized.
 - Use a multimeter with an impedance of at least 1 Mohm.
 - Make sure that the voltage between the drive input power terminals (L1, L2, L3) and the grounding terminal (PE) is close to 0 V.
 - Make sure that the voltage between the drive DC terminals (UDC+ and UDC-) and the grounding terminal (PE) is close to 0 V.
 6. Install temporary grounding as required by the local regulations.
 7. Ask for a permit to work from the person in control of the electrical installation work.
-



■ Additional instructions and notes



WARNING! Obey these instructions. If you ignore them, injury or death, or damage to the equipment can occur.

- If you install the drive on an IT system (an ungrounded power system or a high-resistance-grounded [over 30 ohms] power system), disconnect the internal EMC filter; otherwise the system will be connected to ground potential through the EMC filter capacitors. This can cause danger or damage the drive.

Note: Disconnecting the internal EMC filter increases the conducted emission and reduces the drive EMC compatibility considerably.

- If you connect the drive to an IT system (an ungrounded power system or a high-resistance-grounded [over 30 ohms] power system), disconnect the varistor from ground. Failure to do so can cause damage to the varistor circuit.
- If you install the drive on a corner-grounded TN system, disconnect the internal EMC filter; otherwise the system will be connected to ground potential through the EMC filter capacitors. This will damage the drive.

Note: Disconnecting the internal EMC filter increases the conducted emission and reduces the drive EMC compatibility considerably.

- Use all ELV (extra low voltage) circuits connected to the drive only within a zone of equipotential bonding, that is, within a zone where all simultaneously accessible conductive parts are electrically connected to prevent hazardous voltages appearing between them. You can accomplish this by a proper factory grounding, that is, make sure that all simultaneously accessible conductive parts are grounded to the protective earth (PE) bus of the building.
- Do not do insulation or voltage withstand tests on the drive.

Note:

- The motor cable terminals of the drive are at a dangerous voltage when the input power is on, regardless of whether the motor is running or not.
 - The DC and brake resistor terminals (UDC+, UDC-, R+ and R-) are at a dangerous voltage.
 - External wiring can supply dangerous voltages to the terminals of relay outputs.
 - The Safe torque off function does not remove the voltage from the main and auxiliary circuits. The function is not effective against deliberate sabotage or misuse.
-



WARNING! Use a grounding wrist band when you handle the printed circuit boards. Do not touch the boards unnecessarily. The components on the boards are sensitive to electrostatic discharge.

■ Grounding

These instructions are for all personnel who are responsible for the electrical installation, including the grounding of the drive.



WARNING! Obey these instructions. If you ignore them, injury or death, or equipment malfunction can occur, and electromagnetic interference can increase.

- If you are not a qualified electrician, do not do grounding work.
- Always ground the drive, the motor and adjoining equipment to the protective earth (PE) bus of the power supply. This is necessary for the personnel safety. Proper grounding also reduces electromagnetic emission and interference.
- In a multiple-drive installation, connect each drive separately to the protective earth (PE) bus of the power supply.
- Make sure that the conductivity of the protective earth (PE) conductors is sufficient. Refer to [Selecting the power cables](#) on page 42. Obey the local regulations.
- Connect the power cable shields to the protective earth (PE) terminals of the drive.
- Make a 360° grounding of the power and control cable shields at the cable entries to suppress electromagnetic disturbances.



Note:

- You can use power cable shields as grounding conductors only when their conductivity is sufficient.
 - Standard IEC/EN 61800-5-1 (section 4.3.5.5.2.) requires that as the normal touch current of the drive is higher than 3.5 mA AC or 10 mA DC, you must use a fixed protective earth (PE) connection. In addition,
 - install a second protective earth conductor of the same cross-sectional area as the original protective earthing conductor,
 or
 - install a protective earth conductor with a cross-section of at least 10 mm² Cu or 16 mm² Al,
 or
 - install a device which automatically disconnects the supply if the protective earth conductor breaks.
-

Additional instructions for permanent magnet motor drives

■ Safety in installation, start-up and maintenance

These are additional warnings concerning permanent magnet motor drives. The other safety instructions in this chapter are also valid.



WARNING! Obey these instructions. If you ignore them, injury or death and damage to the equipment can occur.

- Do not work on a drive when a rotating permanent magnet motor is connected to it. A rotating permanent magnet motor energizes the drive including its input power terminals.

Before installation, start-up and maintenance work on the drive:

- Stop the motor.
- Disconnect the motor from the drive with a safety switch or by other means.
- If you cannot disconnect the motor, make sure that the motor cannot rotate during work. Make sure that no other system, like hydraulic crawling drives, can rotate the motor directly or through any mechanical connection like felt, nip, rope, etc.
- Measure that the installation is de-energized.
 - Use a multimeter with an impedance of at least 1 Mohm.
 - Make sure that the voltage between the drive output terminals (T1/U, T2/V, T3/W) and the grounding (PE) busbar is close to 0 V.
 - Make sure that the voltage between the drive input power terminals (L1, L2, L3) and the grounding (PE) busbar is close to 0 V.
 - Make sure that the voltage between the drive DC terminals (UDC+, UDC-) and the grounding (PE) terminal is close to 0 V.
- Install temporary grounding to the drive output terminals (T1/U, T2/V, T3/W). Connect the output terminals together as well as to the PE.

Start-up and operation:

- Make sure that the operator cannot run the motor over the rated speed. Motor overspeed causes overvoltage that can damage or explode the capacitors in the intermediate circuit of the drive.
-



General safety in operation

These instructions are for all personnel that operate the drive.



WARNING! Obey these instructions. If you ignore them, injury or death, or damage to the equipment can occur.

- Do not control the motor with the disconnecter at the drive power supply. Use the control panel start and stop keys or the start/stop commands from an external control device connected through the I/O or fieldbus interface.
- Give a stop command to the drive before you reset a fault. If you have an external source for the start command and the start is on, the drive will start immediately after the fault reset, unless you configure the drive for pulse start. See the firmware manual.
- Before you activate automatic fault reset functions of the drive control program, make sure that no dangerous situations can occur. These functions reset the drive automatically and continue operation after a fault.

Note: When the control location is not set to Local, the stop key on the control panel will not stop the drive.







Introduction to the manual

Contents of this chapter

The chapter describes the applicability, target audience and purpose of this manual. It describes the contents of this manual. The chapter also has a flowchart for the delivery, installation and commissioning of the drive.

Applicability

The manual applies to ACS480 drives. 3-phase and 1-phase 230V device will be released later. Please contact local ABB to check the availability

Target audience

The reader must know the fundamentals of electricity, wiring, electrical components and electrical schematic symbols.

Purpose of the manual

This manual has the information needed to plan the installation, and install, commission and service the drive.

Contents of this manual

- [Safety instructions](#) (on page 11) gives the safety instructions that you must obey when you install, commission, operate and service the drive.
- [Introduction to the manual](#) (on page 19) describes the applicability, target audience, purpose and contents of this manual.
- [Hardware description](#) (on page 25) describes the operation principle, layout, power connections and control interfaces, type designation information.
- [Mechanical installation](#) (on page 35) describes how to examine the installation site, unpack, examine the delivery and install the drive mechanically.
- [Planning the electrical installation](#) (on page 41) describes how to plan the electrical installation of the drive.
- [Electrical installation](#) (on page 55) describes how to measure the insulation of the assembly and the compatibility with IT (ungrounded) and corner-grounded TN systems. It shows how to connect the power and control cables, install optional modules and connect a PC.
- [Installation checklist](#) (on page 73) contains a checklist for the mechanical and electrical installation of the drive before start-up.
- [Maintenance](#) (on page 75) contains the preventive maintenance instructions and LED indicator descriptions.
- [Technical data](#) (on page 83) contains the technical specifications of the drive.
- [Dimension drawings](#) (on page 117) shows the dimension drawings of the drive.
- [Resistor braking](#) (on page 129) tells you how to select the brake resistor.
- [Safe torque off function](#) (on page 137) describes the STO features, installation and technical data.
- [BAPO-01 power extension module](#) (on page 151) describes the optional BAPO-01 module.
- [BIO-01 I/O extension module](#) (on page 155) describes the optional I/O extension module.

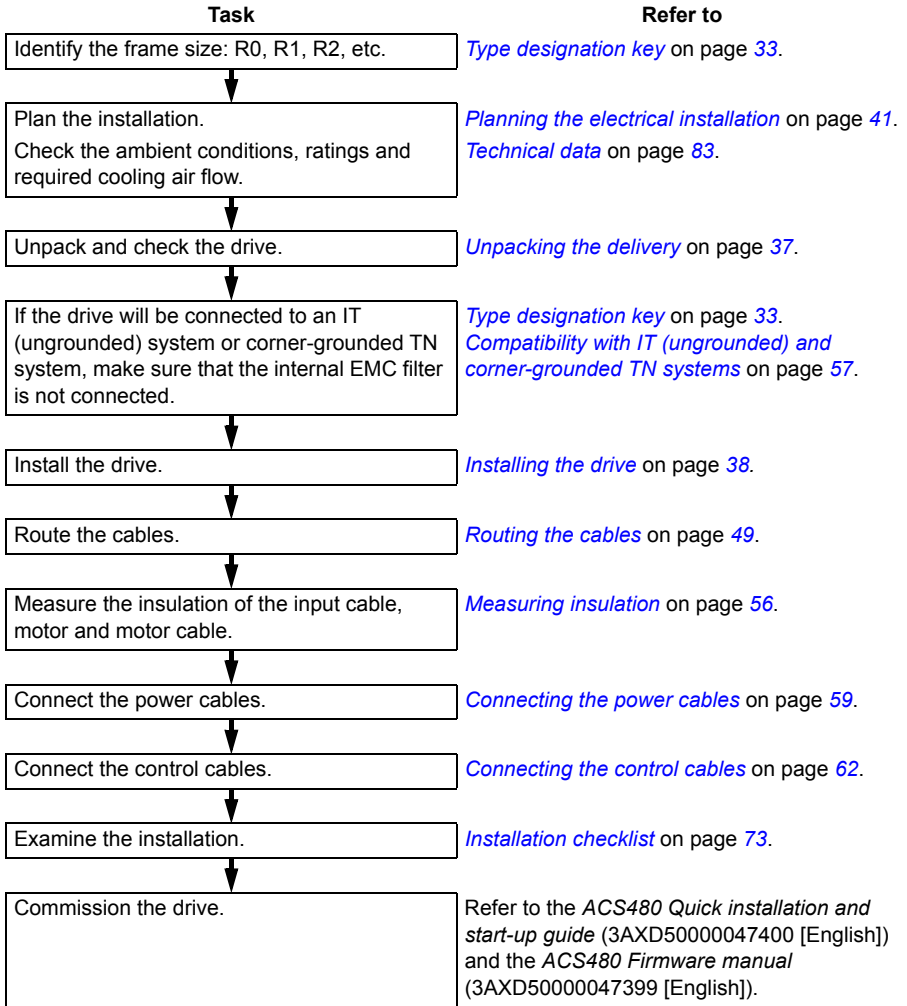
Related documents

Refer to [List of related manuals](#) on page 2 (the inner front cover).

Categorization by frame (size)

The drive is manufactured in frame sizes, for example, R0, R1, R2 and so on. Information that is applicable only to certain frames shows the frame size. Some instructions only apply to specific frame sizes. You can read the frame size from the type designation label on the drive, refer to [Drive labels](#) on page 31.

Quick installation and commissioning flowchart



Terms and abbreviations

Term/abbreviation	Explanation
ACS-AP-X	Assistant control panel. An advanced operator keypad for communication with the drive.
Brake chopper	Conducts the surplus energy from the intermediate circuit of the drive to the brake resistor when necessary. The chopper operates when the DC link voltage exceeds a certain maximum limit. The voltage rise is typically caused by deceleration (braking) of a high inertia motor.
Brake resistor	Dissipates the drive surplus braking energy conducted by the brake chopper to heat. Essential part of the brake circuit. Refer to Brake chopper .
Capacitor bank	Refer to DC link capacitors .
Control board	Circuit board in which the control program runs.
BAPO-01	Optional side-mounted auxiliary power extension module
BCBL-01	Optional USB to RJ45 cable
BIO-01	Optional I/O extension module underneath the fieldbus option
CCA-01	Optional cold configuration adapter
DC link	DC circuit between rectifier and inverter
DC link capacitors	Energy storage which stabilizes the intermediate circuit DC voltage
Drive	Frequency converter for controlling AC motors
EFB	Embedded fieldbus
EMC	Electromagnetic compatibility
FBA	Fieldbus adapter
FCAN-01	Optional CANopen adapter module
FCNA-01	Optional ControlNet adapter module
FDNA-01	Optional DeviceNet adapter module
FECA-01	Optional EtherCAT adapter module
FEIP-21	Optional Ethernet/IP adapter module
FENA-21	Optional Ethernet adapter module for EtherNet/IP, Modbus TCP and PROFINET IO protocols
FEPL-02	Optional Ethernet POWERLINK adapter module
FMBT-21	Optional Modbus/TCP adapter module
FPBA-01	Optional PROFIBUS DP adapter module
FPNO-21	Optional PROFINET adapter module
Frame (size)	Refers to drive physical size, for example, R0 and R1. The type designation label attached to the drive shows the frame of the drive, refer to Type designation key on page 33.
I/O	Input/Output
IGBT	Insulated gate bipolar transistor
Intermediate circuit	Refer to DC link .
Inverter	Converts direct current and voltage to alternating current and voltage.

Term/abbreviation	Explanation
Macro	Pre-defined default set of parameters in a drive control program. Each macro is intended for a specific application.
NETA-21	Optional remote monitoring tool
Network control	With fieldbus protocols based on the Common Industrial Protocol (CIP™), such as DeviceNet and Ethernet/IP, denotes the control of the drive using the Net Ctrl and Net Ref objects of the ODVA AC/DC Drive Profile. For more information, refer to www.odva.org , and to the applicable documentation for the network equipment (refer to List of related manuals on the inner front cover).
Parameter	User-adjustable operation instruction to the drive, or signal measured or calculated by the drive
PLC	Programmable logic controller
PROFIBUS, PROFIBUS DP, PROFINET IO	Registered trademarks of PI - PROFIBUS & PROFINET International
R0, R1, R2, R3...	Frame (size)
RCD	Residual current device
RFI	Radio-frequency interference
SIL	Safety integrity level. Refer to Safe torque off function on page 137 .
STO	Safe torque off. Refer to Safe torque off function on page 137 .



Hardware description

Contents of this chapter

This chapter describes the operation principle, layout, type designation label and type designation information. It shows a general diagram of the power connections and control interfaces.

General description

The ACS480 is a drive for controlling asynchronous AC induction motors, permanent magnet synchronous motors and ABB synchronous reluctance motors (SynRM motors). It is optimized for cabinet mounting.

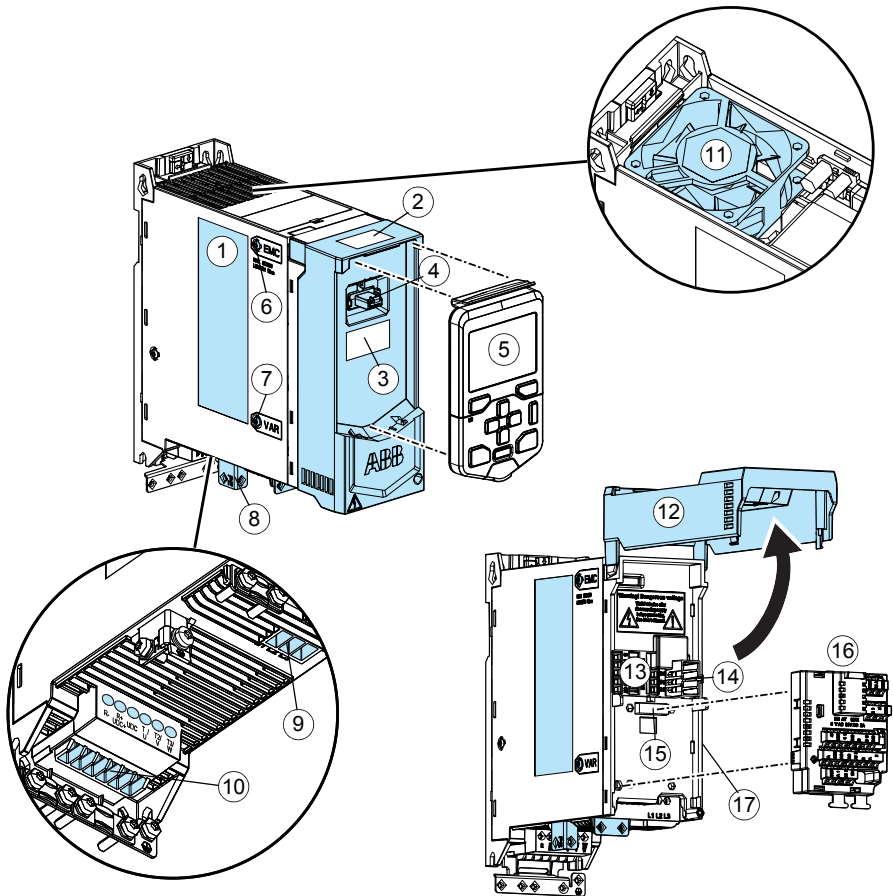
Product variants

The drive has two primary products:

- Standard unit: (ACS480-04-02A7) with Assistant control panel ACS-AP-S and I/O module with integrated Modbus RIIO-01.
- Base unit: (ACS480-04-02A7+0J400+0L540) without panel and without I/O module with Modbus.

Refer to [Type designation key](#) on page 33.

Hardware overview



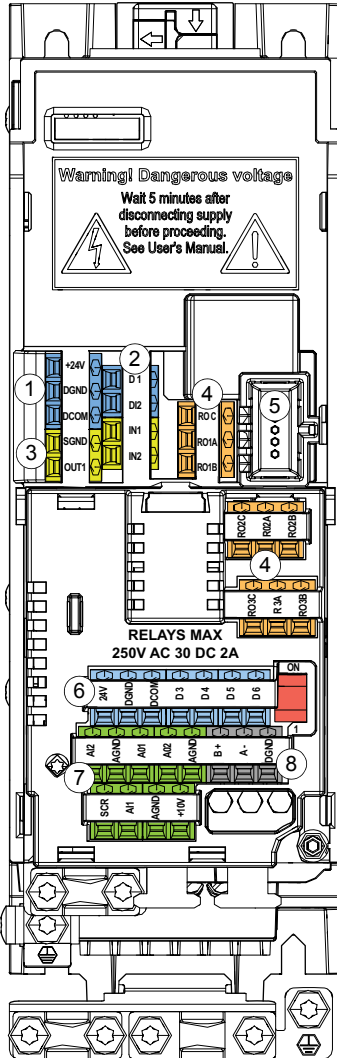
No.	Description	No.	Description
1	Type designation label	10	Motor and braking resistor terminals
2	Model information label	11	Cooling fan (not on R0)
3	Software information label	12	Front cover
4	Control panel connection	13	Fixed control terminals
5	Control panel	14	Cold configuration connection (CCA-01)
6	EMC filter grounding screw	15	Option slot for communication modules
7	Varistor grounding screw	16	I/O or fieldbus module
8	PE connection (motor)	17	Side option slot for side-mounted options

No.	Description	No.	Description
9	Input power terminal		

Control connections

There are fixed control connections on the base unit and optional control connections based on the installed option module.

■ Standard unit



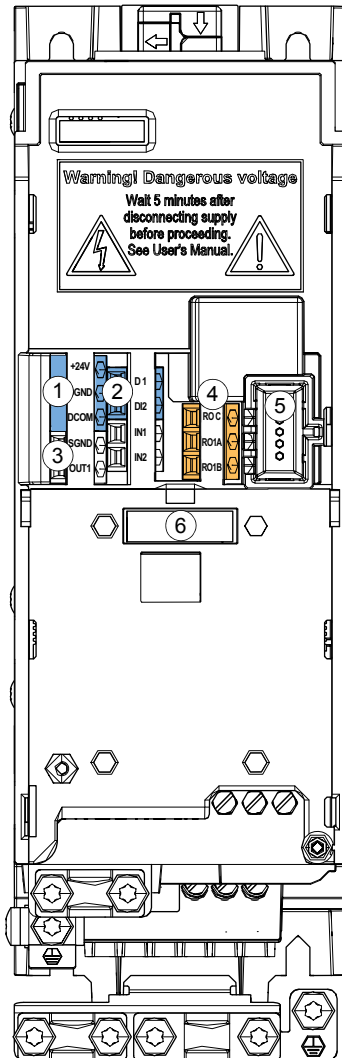
Connections of the base unit:

1. Auxiliary voltage outputs
2. Digital inputs
3. Safe torque-off connections
4. Relay output connection
5. Cold configuration connection for CCA-01

Connections of the I/O module:

6. Digital inputs
7. Analog inputs and outputs
8. EIA-485 Modbus RTU

■ Base unit



Connections of the base unit:

1. Auxiliary voltage outputs
2. Digital inputs
3. Safe torque-off connections
4. Relay output connection
5. Cold configuration connection for CCA-01
6. Option module slot 1

Mounted options

For information on mounted optional extension modules, refer to:

- [BAPO-01 power extension module](#) on page 151.
- [BIO-01 I/O extension module](#) on page 155.

Control panel

The drive supports these assistant control panels:

- ACS-AP-S (included in the standard delivery)
- ACS-AP-I
- ACS-AP-W
- ACS-BP-S
- RDUM-01 blank panel with RJ-45 connector

For information on the assistant control panels, refer to the *ACX-AP-x Assistant control panels user's manual* (3AUA0000085685 [EN]).

For information on how to start up the drive, and modify the settings and parameters, refer to the *ACS480 Firmware manual* (3AXD50000047399 [EN]).

PC connection

To connect a PC to the drive, there are two alternatives:

1. Use an ACS-AP-I/S assistant control panel as a converter with a USB Mini-B type cable.
2. Use a USB to RJ45 converter BCBL-01 (3AXD50000032449) with RDUM-01 (3AXD50000040850). You can order it from ABB.

Connect the cable to the Panel and PC tool port (RJ45) on the top of the drive. Refer to [Hardware overview](#) on page 26.

For information on the Drive composer PC tool, refer to *Drive composer PC tool user's manual* (3AUA0000094606 [English]).

Drive labels

The drive has these labels:

- Model information label on the top of the drive
- Software information label under the front cover
- Type designation label on the left side of the drive

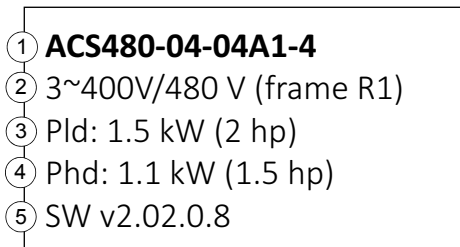
For label positions, refer to [Hardware overview](#) on page 26.

■ Model information label



No.	Description
1	Drive type
2	Bar code
3	Serial number







■ Software information label



No.	Description
1	Drive type
2	Input voltage rating and frame size
3	Typical motor power in light-duty use (110% overload)
4	Typical motor power in heavy-duty use (150% overload)
5	Drive software version

■ Type designation label

This is a sample type designation label.

ABB	ACS480-04-04A1-4 ①		5	    												
ABB Oy Hiomotie 13 00380 Helsinki Finland	Input U1 3~ 400/480 VAC	f1 50/60 Hz ④	Input current is scaled by motor output current <table border="1"> <thead> <tr> <th>Output</th> <th>Input</th> <th>Input (with 5% choke)</th> </tr> </thead> <tbody> <tr> <td>4</td> <td>6.4/5.4</td> <td>4/3.4</td> </tr> <tr> <td>3.8/3.4</td> <td>6.1/5.4</td> <td>3.8/3.4</td> </tr> <tr> <td>3.3/3</td> <td>5.3/4.8</td> <td>3.3/3</td> </tr> </tbody> </table>		Output	Input	Input (with 5% choke)	4	6.4/5.4	4/3.4	3.8/3.4	6.1/5.4	3.8/3.4	3.3/3	5.3/4.8	3.3/3
Output	Input	Input (with 5% choke)														
4	6.4/5.4	4/3.4														
3.8/3.4	6.1/5.4	3.8/3.4														
3.3/3	5.3/4.8	3.3/3														
FRAME ② R1	Output U2 3~ 0...U1	Ild 3.8/3.4 A														
	Ihd 3.3/3 A	f2 0...599Hz														
Air cooling ③			⑥  S/N: 1170301940													
IP20 UL open type	Icc 100 kA															

No.	Description
1	Type designation, refer to Type designation key on page 33.
2	Frame (size)
3	Degree of protection
4	Nominal ratings, refer to Ratings on page 84.
5	Valid markings
6	S/N: Serial number of format MYYWWXXXX, where M: Manufacturer YY: Year of manufacture: 15, 16, 17, ... for 2015, 2016, 2017, ... WW: Week of manufacture: 01, 02, 03, ... for week 1, week 2, week 3, ... XXXX: Running item number that starts each week from 0001.

Type designation key

The type designation tells you the specifications and configuration of the drive. For more information on the ratings, refer to [Technical data](#) on page 83.

Sample type code: ACS480-04-12A7-4+XXXX

Segment	A	B	C	D
ACS480	- 04	- 02A7	- 4	+ Option codes

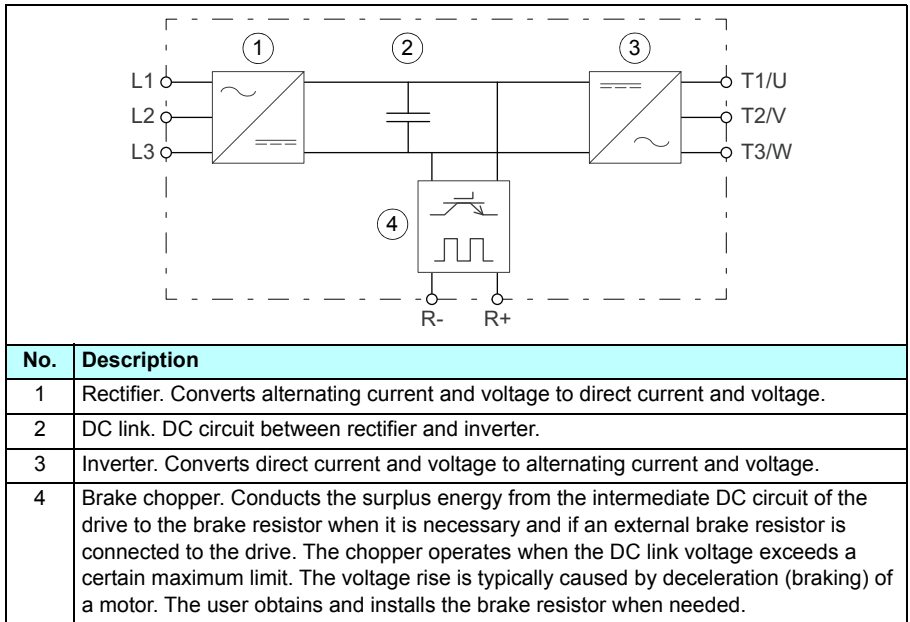
Code	Description
Basic codes	
A Construction	04 = Module, IP20
04	When there are no options: cabinet optimized module, IP20, assistant control panel with USB, I/O module with embedded Modbus RTU, EMC C2 filter (internal EMC filter), safe torque off, braking chopper, coated boards, quick installation and start-up guide.
B Drive size	
e.g. 12A7	Nominal output current rating of the inverter.
C Voltage rating	
4	3-phase 380...480 V AC
D Option codes (plus codes)	
Control panel and panel options	
J400	ACS-AP-S Assistant control panel (as standard)
J404	ACS-BP-S Basic control panel
J424	RDUM-01 Blank control panel cover with RJ45 connection
J425	ACS-AP-I Assistant control panel
J429	ACS-AP-W Assistant control panel with Bluetooth interface
0J400	Without control panel
I/O	
L515	BIO-01 I/O extension module (front option, can be used with fieldbus)
L534	BAPO-01 External 24 V DC (side option)
L540	I/O & Modbus module (front option, as standard)
0L540	Without I/O & Modbus module
Fieldbus adapters	
K451	FDNA-01 DeviceNet™
K454	FPBA-01 PROFIBUS DP
K457	FCAN-01 CANopen
K458	FSCA-01 Modbus/RTU
K462	FCNA-01 ControlNet™
K469	FECA-01 EtherCAT
K470	FEPL-02 Ethernet POWERLINK

34 Hardware description

Code	Description		
K475	FENA-21 2-port Ethernet (Ethernet/IP, Modbus/TCP, PROFINET)		
+K490	FEIP-21 Ethernet/IP		
+K491	FMBT-21 Modbus/TCP		
+K492	FPNO-21 PROFINET		
Documentation			
	+R700 English +R701 German +R702 Italian +R703 Dutch +R704 Danish +R705 Swedish +R706 Finnish	+R707 French +R708 Spanish +R709 Portuguese (in Portugal) +R711 Russian +R714 Turkish	Full set of printed manuals in the selected language. An English manual is included, if a translation is not available. The product package includes the <i>Quick installation and start-up guide</i> .

Operation principle

The figure shows the simplified main circuit diagram of the drive.



4

Mechanical installation

Contents of this chapter

The chapter tells you how to examine the installation site, unpack, check the delivery and install the drive mechanically.

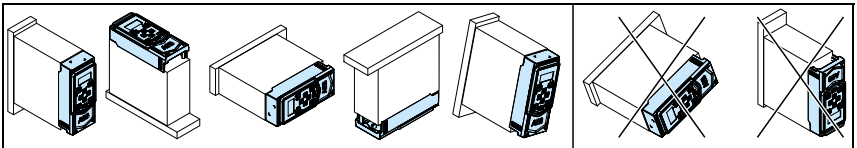
Installation alternatives

You can install the drive:

- With screws on to a wall
- With screws on to an assembly plate
- On to a DIN installation rail (with the integrated lock)

Installation requirements:

- Make sure that there is a minimum of 75 mm of free space at the top and bottom of the drive (at the cooling air inlet and outlet).
- You can install several drives side by side. Note that side-mounted options require 20 mm of space on the right side of the drive.
- Install R0 drives upright. R0 drives do not have a cooling fan.
- You can install R1, R2, R3 and R4 drives tilted by up to 90 degrees from vertical to fully horizontal orientation.



- Make sure that the cooling air exhaust at the top of the drive is not below the cooling air inlet at the bottom of the drive.
-



- Make sure that the hot exhaust air from a drive does not flow into the cooling inlet of other drives or equipment.
- The drive has an IP20 ingress protection classification for cabinet installation.

Examining the installation site

Make sure that:

- There is sufficient cooling. Refer to [Losses, cooling data and noise](#) on page 97.
- The operating conditions are within the specifications in [Ambient conditions](#) on page 107.
- The installation surface is as close to vertical as possible, of non-flammable material and strong enough to support the drive. Refer to [Dimensions and weights](#) on page 96.
- The material above and below the drive is non-flammable.
- There is sufficient free space above and below the drive for service and maintenance.

Required tools

To install the drive mechanically, you need the following tools:

- A drill and suitable drill bits
- A screwdriver or wrench with a set of suitable bits (PH0–3, PZ0–3, T15–40, S4–7)
(For motor cable terminals, the recommended shaft length is 150 mm)
- A tape measure and spirit level
- Personal protective equipment



Unpacking the delivery

Make sure that all of the items are present and that there are no signs of damage.

Standard drive package contents:

- Drive
- Assistant control panel (not installed)
- I/O & Modbus module (not installed)
- Mounting template (for R3 and larger drives)
- Installation accessories (cable clamps, cable ties, hardware, etc.)
- Options, if ordered with a plus code. Note that if a fieldbus adapter is was ordered, it replaces the I/O & Modbus module of the standard delivery.
- Multilingual warning sticker sheet (residual voltage warning)
- Safety instructions
- Quick installation and start-up guide
- Hardware and Firmware manuals, if ordered with a plus code



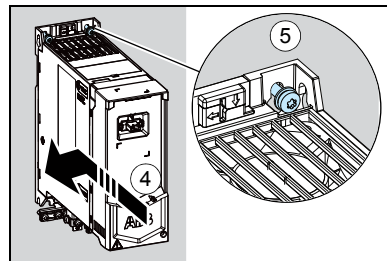
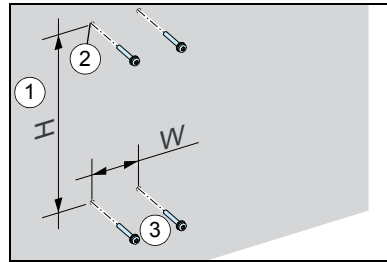
Installing the drive

You can install the drive:

- With screws to a suitable surface
- To a DIN installation rail with the integrated lock

■ To install the drive with screws

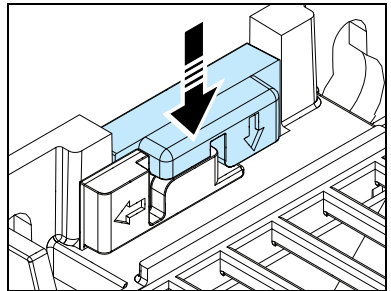
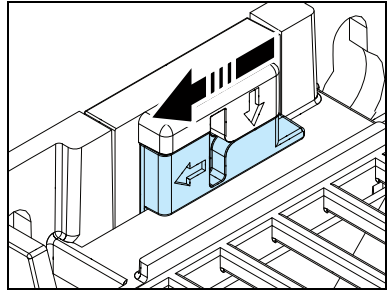
1. Mark the surface for the mounting holes.
Refer to *Dimensions and weights* on page 96. Use the supplied mounting template for the R3 and R4 frames.
2. Drill the holes for the mounting screws.
3. Start to tighten the screws into the mounting holes.
4. Install the drive onto the mounting screws.
5. Tighten the mounting screws.



■ To install the drive to a DIN installation rail

1. Move the locking part to the left.
2. Push and hold the locking button down.
3. Put the top tabs of the drive onto the top edge of the DIN installation rail.
4. Put the drive against the bottom edge of the DIN installation rail.
5. Release the locking button.
6. Move the locking part to the right.
7. Make sure that the drive is correctly installed.

To remove the drive, use a flat-head screwdriver to open the locking part.





5

Planning the electrical installation

Contents of this chapter

This chapter contains the instructions to plan the electrical installation of the drive, for example, to check the compatibility of the motor and drive, and select the cables, protections as well as cable routing.

Make sure that the installation is designed and done according to the applicable local laws and regulations. ABB does not assume any liability whatsoever for any installation which breaches the local laws and/or other regulations. If the recommendations given by ABB are not followed, the drive may experience problems that the warranty does not cover.

Selecting the supply disconnecting device

Install a hand-operated input disconnecting device between the AC power source and the drive. You must be able to lock the disconnecting device to the open position for installation and maintenance work.

■ European Union

To meet the European Union Directives, according to standard EN 60204-1, *Safety of Machinery*, the disconnecting device must be one of the following types:

- Switch-disconnector of utilization category AC-23B (EN 60947-3).
 - Disconnecter that has an auxiliary contact that in all cases causes switching devices to break the load circuit before the opening of the main contacts of the disconnecter (EN 60947-3).
 - Circuit breaker suitable for isolation in accordance with EN 60947-2.
-

■ Other regions

The disconnecting device must conform to the applicable local safety regulations.

Checking the compatibility of the motor and drive

Use an asynchronous AC induction motor, permanent magnet motor or synchronous reluctance motor (SynRM) with the drive. Several induction motors can be connected to the drive at a time.

Make sure that the motor and the drive are compatible according to the rating table in [Ratings](#) on page 84. The table lists the typical motor power for each drive type.

Selecting the power cables

- Select the input power and motor cables according to the local regulations
- Make sure that the input power and the motor cables can carry the corresponding load currents. Refer to [Ratings](#) on page 84.
- Make sure that the cable is rated for at least 70 °C maximum permissible temperature of the conductor in continuous use. For the US, refer to [Additional US requirements](#) on page 46.
- The conductivity of the PE conductor must be sufficient, see below.
- A 600 V AC cable is accepted for up to 500 V AC.
- To comply with the EMC requirements of the CE mark, use an approved cable type. Refer to [Recommended power cable types](#) on page 45.

Use a symmetrical shielded cable to decrease:

- The electromagnetic emissions of the drive system.
- The stress on the motor insulation.
- The bearing currents.

Make sure that the protective conductor has adequate conductivity.

Unless local wiring regulations state otherwise, the cross-sectional area of the protective conductor must agree with the conditions that require automatic disconnection of the supply required in 411.3.2. of IEC 60364-4-41:2005, and be capable of withstanding the prospective fault current during the disconnection time of the protective device.

You can select the cross-sectional area of the protective conductor from the table below or calculate it according to 543.1 of IEC 60364-5-54.

This table shows the minimum cross-sectional area related to the phase conductor size according to IEC 61800-5-1 when the phase conductor and the protective conductor are made of the same metal. If this is not so, select the cross-sectional area of the protective earthing conductor in a manner that produces a conductance equivalent to that which results from the application of this table:

Cross-sectional area of the phase conductors S (mm ²)	Minimum cross-sectional area of the protective conductor S_p (mm ²)
$S \leq 16$	S
$16 < S \leq 35$	16
$35 < S$	$S/2$

Refer to the IEC/EN 61800-5-1 requirement on grounding on page 15.

■ Typical power cable sizes

These are the typical cross-sectional area of the power cables at the nominal drive current.

Drive type	Frame	mm ² (Cu) ⁽¹⁾	AWG
1-phase $U_N = 200...240$ V			
ACS480-04-02A4-1	R0	3×1.5 + 1.5	16
ACS480-04-03A7-1	R0	3×1.5 + 1.5	16
ACS480-04-04A8-1	R1	3×1.5 + 1.5	16
ACS480-04-06A9-1	R1	3×1.5 + 1.5	16
ACS480-04-07A8-1	R1	3×1.5 + 1.5	16
ACS480-04-09A8-1	R2	3×2.5 + 2.5	14
ACS480-04-12A2-1	R2	3×2.5 + 2.5	14
3-phase $U_N = 200...240$ V			
ACS480-04-02A4-2	R1	3×1.5 + 1.5	16
ACS480-04-03A7-2	R1	3×1.5 + 1.5	16
ACS480-04-04A8-2	R1	3×1.5 + 1.5	16
ACS480-04-06A9-2	R1	3×1.5 + 1.5	16
ACS480-04-07A8-2	R1	3×1.5 + 1.5	16
ACS480-04-09A8-2	R1	3×2.5 + 2.5	14
ACS480-04-12A2-2	R2	3×2.5 + 2.5	14
ACS480-04-17A5-2	R3	3×6 + 6	14
ACS480-04-25A0-2	R3	3×6 + 6	10
ACS480-04-032A-2	R4	3×10 + 10	8
ACS480-04-048A-2	R4	3×25 + 16	4
ACS480-04-055A-2	R4	3×25 + 16	4
3-phase $U_N = 380...480$ V			
ACS480-04-02A7-4	R1	3×1.5 + 1.5	16
ACS480-04-03A4-4	R1	3×1.5 + 1.5	16
ACS480-04-04A1-4	R1	3×1.5 + 1.5	16

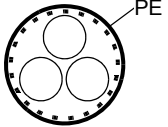
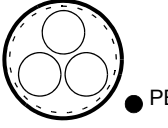
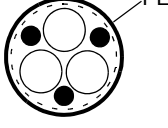
44 Planning the electrical installation

Drive type	Frame	mm ² (Cu) ⁽¹⁾	AWG
ACS480-04-05A7-4	R1	3×1.5 + 1.5	16
ACS480-04-07A3-4	R1	3×1.5 + 1.5	16
ACS480-04-09A5-4	R1	3×2.5 + 2.5	14
ACS480-04-12A7-4	R2	3×2.5 + 2.5	14
ACS480-04-018A-4	R3	3×6 + 6	10
ACS480-04-026A-4	R3	3×6 + 6	10
ACS480-04-033A-4	R4	3×10 + 10	8
ACS480-04-039A-4	R4	3×16 + 16	6
ACS480-04-046A-4	R4	3×25 + 16	4
ACS480-04-050A-4	R4	3×25 + 16	4


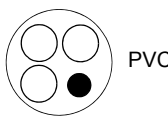

1) This is the size of typical power cable (symmetrical, shielded, three-phase copper cable). Note that for the input power connection, you typically must have two separate PE conductors, i.e., the shield alone is not enough. Refer to [Grounding](#) on page 15.

Refer also to [Terminal data for the power cables](#) on page 99.

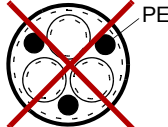
■ Recommended power cable types

	<p>Symmetrical shielded cable with three phase conductors and a concentric PE conductor as the shield. The shield must meet the requirements of IEC 61800-5-1 (refer to page 42). Make sure that local/state/country electrical codes permit this cable type.</p>
	<p>Symmetrical shielded cable with three phase conductors and a concentric PE conductor as the shield. A separate PE conductor is required if the shield does not meet the requirements of IEC 61800-5-1 (refer to page 42).</p>
	<p>Symmetrical shielded cable with three phase conductors and symmetrically constructed PE conductor, and a shield. The PE conductor must meet the requirements of IEC 61800-5-1 (refer to page 42).</p>

■ Power cable types for limited use

	<p>A four-conductor system (three phase conductors and a protective conductor on a cable tray) is not permitted for motor cabling (it is permitted for input cabling).</p>
	<p>A four-conductor system (three phase conductors and a PE conductor in a PVC conduit) is permitted for input cabling with a phase conductor cross-section less than 10 mm² (8 AWG) or for motors ≤ 30 kW (40 hp). Not permitted in the USA.</p>
	<p>Corrugated or EMT cable with three phase conductors and a protective conductor is permitted for motor cabling with a phase conductor cross section less than 10 mm² (8 AWG) or for motors ≤ 30 kW (40 hp).</p>

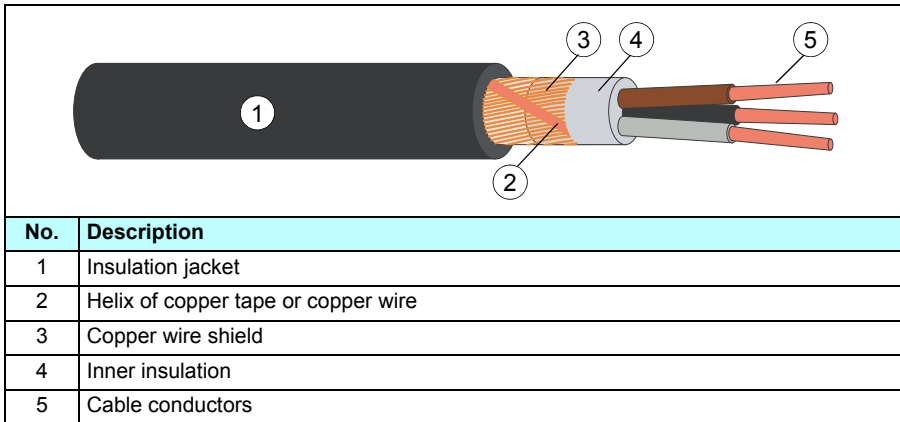
■ Not allowed power cable types

	<p>Symmetrical shielded cable with individual shields for each phase conductor is not permitted in any cable size for input or motor cabling.</p>
---	---

■ Motor cable shield

If the motor cable shield is the only protective earth conductor of the motor, make sure that the conductivity of the shield is sufficient. Refer to [Selecting the power cables](#) on page 42 or to IEC 61800-5-1.

To effectively suppress radiated and conducted radio-frequency emissions, the cable shield conductivity must be at least 1/10 of the phase conductor conductivity. To meet the requirements, use a copper or an aluminum shield. The figure shows the minimum requirements for the motor cable shield. It has a concentric layer of copper wires with an open helix of copper tape or copper wire. The better and tighter the shield, the lower the emissions and bearing currents.



■ Additional US requirements

Use type MC continuous corrugated aluminum armor cable with symmetrical grounds or shielded power cable for the motor cables if metallic conduit is not used. For the North American market, 600 V AC cable is accepted for up to 500 V AC. A 1,000 V AC cable is required above 500 V AC (below 600 V AC). The power cables must be rated for 75 °C (167 °F).

Conduit

Couple separate parts of a conduit together: Bridge the joints with a ground conductor that is bonded to the conduit on each side of the joint. Also bond the conduits to the drive enclosure and motor frame. Use separate conduits for input power, motor, brake resistor and control wiring. When a conduit is used, type MC continuous corrugated aluminum armor cable or shielded cable is not required. A dedicated ground cable is always required.

Do not run motor wiring from more than one drive in the same conduit.

Armored cable or shielded power cable

Six-conductor (three phase and three ground conductors) type MC continuous corrugated aluminum armor cable with symmetrical grounds is available from the following suppliers (trade names in parentheses):

- Anixter Wire & Cable (VFD)
- RSCC Wire and Cable (Gardex)
- Okonite (CLX)

Shielded power cables are available from the following suppliers:

- Belden
 - LAPPKABEL (ÖLFLEX)
 - Pirelli
-

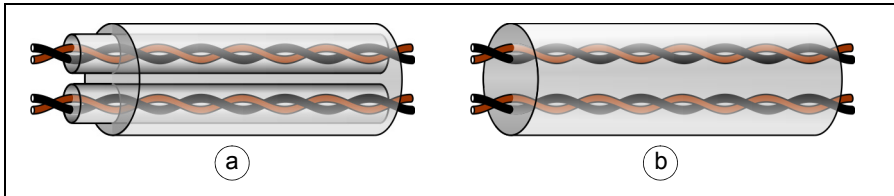
Selecting the control cables

Shielding

Only use shielded control cables.

Use a double-shielded twisted pair cable (a) for analog signals. Use one individually shielded pair for each signal. Do not use a common return for different analog signals.

A double-shielded cable (a) is the best alternative for low-voltage digital signals, but a single-shielded (b) twisted pair cable is acceptable.



Signals in separate cables

Put analog and digital signals in separate, shielded cables.

Do not mix 24 V and 115/230 V AC signals in the same cable.

Signals that can be run in the same cable

If their voltage does not exceed 48 V, relay-controlled signals can be in the same cables as digital input signals. The relay-controlled signals should be run as twisted pairs.

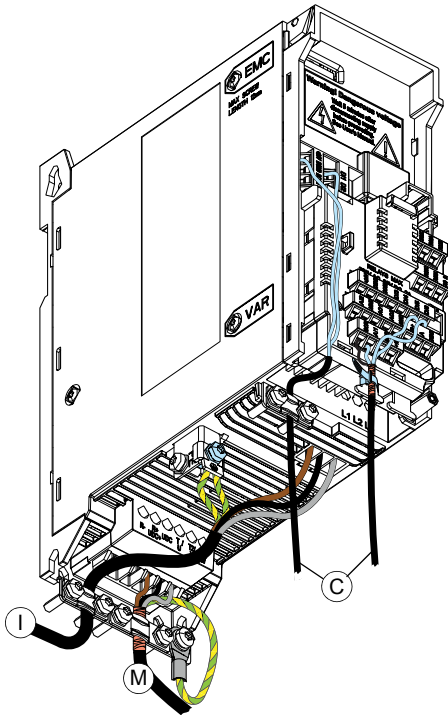
Relay cable

The cable type with braided metallic screen (for example ÖLFLEX by LAPPKABEL, Germany) has been tested and approved by ABB.

Drive composer PC tool cable

Use a USB type A (PC) – type B (control panel) cable. The maximum permitted length of the cable is 3 m (9.8 ft).

Routing the cables



Select the cable routes as follows:

- Put the input power cable (I), motor cable (M) and control cables (C) into separate trays.
 - Put the motor cable (M) away from the other cables.
 - Make sure that there is a minimum of 200 mm between the input power cable (I) and the control cables (C).
 - Make sure that there is a minimum of 500 mm between the motor cable (M) and the control cables (C).
 - Make sure that there is a minimum 300 mm between the input power cable (I) and the motor cable (M).
 - If the control cables cross the input power or motor cables, put the cables at 90 degrees to each other.
 - You can put several motor cables in parallel.
 - Do not install other cables in parallel with the motor cables.
 - Make sure that the cable trays are electrically bonded to each other and to the electrical ground.
- Make sure that the control cables are appropriately supported outside the drive to relieve stress on the cables.
 - Make sure that there are no sources of strong magnetic fields such as high-current single-core conductors or contactor coils near the drive. A strong magnetic field can cause interference or inaccuracy in the operation of the drive. If there is interference, move the source of the magnetic field away from the drive.

■ **Separate control cable ducts**

Put 24 V and 230 V (120 V) control cables in separate ducts unless the 24 V cable is insulated for 230 V (120 V) or insulated with an insulation sleeving for 230 V (120 V).

■ **Continuous motor cable shield or conduit**

To minimize the emission level when there are safety switches, contactors, connection boxes or similar equipment on the motor cable between the drive and the motor: Install the equipment in a metal enclosure with 360 degree grounding for the shields of both the incoming and outgoing cables, or connect the shields otherwise together. If cabling is put into conduits, make sure that they are continuous.

Implementing short-circuit protection

■ **Protecting the drive and input power cable in short-circuits**

Protect the drive and input cable with fuses. For fuse ratings, refer to [Technical data](#) on page 83. The fuses protect the input cable, restrict drive damage and prevent damage to adjoining equipment if there is a short-circuit.

For information on circuit breakers, contact ABB for more information.

■ **Protecting the motor and motor cable in short-circuits**

If the motor cable has the correct size for the nominal current, the drive protects the motor cable and motor if there is a short-circuit.

Implementing thermal overload protection

■ Protecting the drive, and the input power and motor cables against thermal overload

If the cables have the correct size for the nominal current, the drive protects itself and the input and motor cables against thermal overload.



WARNING! If the drive is connected to several motors, use a separate circuit breaker or fuses to protect each motor cable and motor against overload. The drive overload protection is tuned for the total motor load. It may not trip due to an overload in one motor circuit only.

■ Protecting the motor against thermal overload

According to the regulations, the motor must be protected against thermal overload and the current must be switched off when an overload is detected. The drive has a motor thermal protection function that protects the motor and switches off the current when necessary. Depending on a drive parameter value, the function either monitors a calculated temperature value or an actual temperature indication given by motor temperature sensors. The user can tune the thermal model by feeding in additional motor and load data.

The most common temperature sensors are:

- For motor sizes IEC180...225: a thermal switch, for example, a Klixon.
- For motor sizes IEC200...250 and larger: a PTC or Pt100 sensor.

Protecting the drive against ground faults

The drive has a ground fault protection function that protects the unit against ground faults in the motor and motor cable. It is not a personnel safety or a fire protection feature.

■ Residual current device compatibility

The drive can be used with residual current devices of Type B.

Note: The EMC filter of the drive has capacitors between the main circuit and the frame. These capacitors and long motor cables increase the ground leakage current and can cause the fault current circuit breakers to function.

Implementing the emergency stop function

For safety reasons, install the emergency stop devices at each operator control station and at other operating stations where an emergency stop may be needed. Design the emergency stop according to the applicable standards.

Note: The stop key on the control panel of the drive does not generate an emergency stop or separate the drive from dangerous potential.

Implementing the Safe torque off function

Refer to [Safe torque off function](#) on page 137.

Using a safety switch between the drive and motor

Install a safety switch between the permanent magnet motor and the drive output. The safety switch isolates the motor from the drive during maintenance work.

Using a contactor between the drive and motor

The control of the output contactor depends on how you use the drive.

When you use the vector control mode and motor ramp stop, open the contactor as follows:

1. Give a stop command to the drive.
2. Wait until the drive stops the motor.
3. Open the contactor.

When you use the vector control mode and motor coast stop or the scalar control mode, open the contactor as follows:

1. Give a stop command to the drive.
2. Open the contactor.

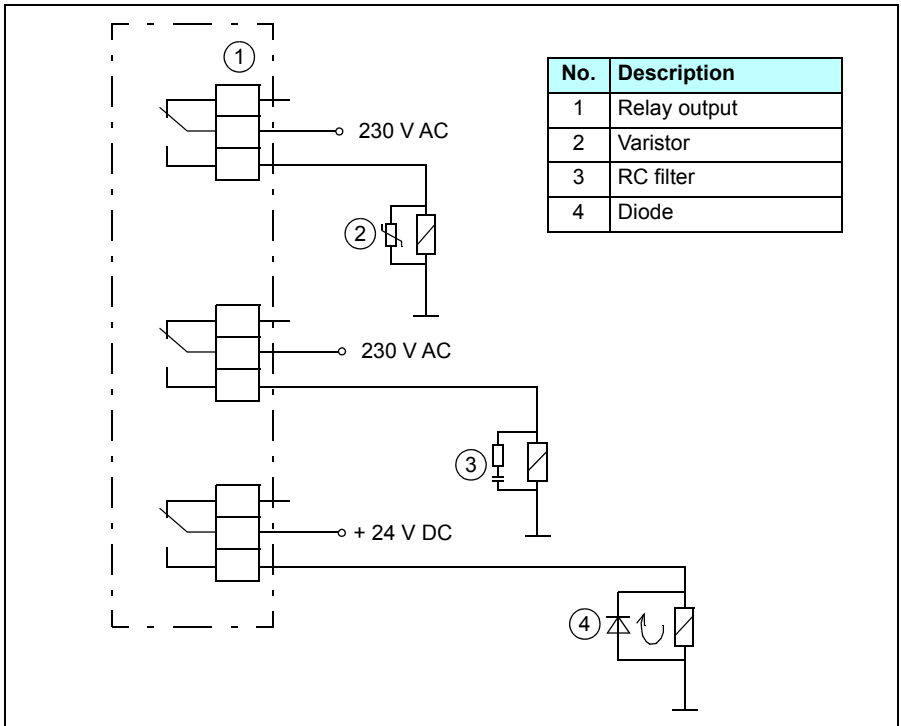


WARNING! In the vector control mode, do not open the output contactor when the drive controls the motor. The vector control operates faster than the contactor opens its contacts. If the contactor starts to open when the drive controls the motor, the vector control tries to maintain the load current and increases the output voltage to the maximum. This can cause damage to the contactor.

Protecting the contacts of relay outputs

Inductive loads (relays, contactors and motors) cause voltage transients when switched off. The voltage transients can connect capacitively or inductively to other conductors and cause a malfunction in the system.

Use a noise attenuating circuit (varistors, RC filters [AC] or diodes [DC]) to minimize the EMC emission of inductive loads at switch-off. Install the noise attenuating circuit as close to the inductive load as possible. Do not install a noise attenuating circuit at the relay output.



6

Electrical installation

Contents of this chapter

The chapter describes how to check the insulation of the installation and the compatibility with IT (ungrounded) and corner-grounded TN systems. It shows how to connect the power and control cables, install optional modules and connect a PC.

Warnings



WARNING! Obey the instructions in [Safety instructions](#) on page 11. If you ignore them, injury or death, or damage to the equipment can occur.



WARNING! Make sure that the drive is disconnected from the input power during installation. Before you do work on the drive, wait for 5 minutes after you disconnect the input power.



Required tools

To perform the electrical installation, you need the following tools:

- Wire stripper
 - Screwdriver or wrench with a set of suitable bits
 - Short flat head screwdriver for the I/O terminals
 - Multimeter and voltage detector
 - Personal protective equipment
-

Measuring insulation

■ Drive

Do not do voltage tolerance or insulation resistance tests on the drive. The drive was tested for insulation between the main circuit and the chassis at the factory. The drive has voltage-limiting circuits which decrease the testing voltage automatically.

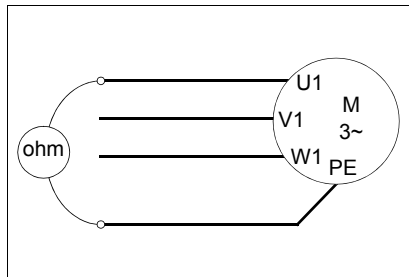
■ Input power cable

Before you connect the input power cable, measure its insulation according to the local regulations.

■ Motor and motor cable

Measure the insulation of the motor and motor cable as follows:

1. Make sure that the motor cable is disconnected from the drive output terminals T1/U, T2/V and T3/W.
2. Measure the insulation resistance between the phase conductors and between each phase conductor and the protective earth conductor. Use a measuring voltage of 1,000 V DC. The insulation resistance of an ABB motor must be more than 100 Mohm (reference value at 25 °C or 77 °F). For the insulation resistance of other motors, refer to the manufacturer's instructions.

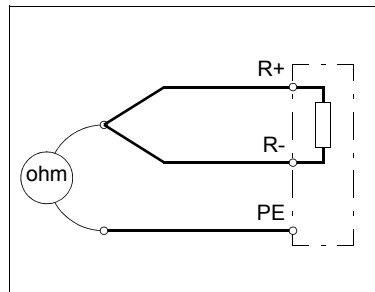


Moisture in the motor casing decreases the insulation resistance. If you think that there is moisture in the motor, dry the motor and measure again.

■ Brake resistor assembly


Measure the insulation of the brake resistor assembly as follows:


1. Make sure that the resistor cable is connected to the resistor, and disconnected from the drive output terminals R+ and R-.
2. At the drive, connect the R+ and R- conductors of the resistor cable together. Measure the insulation resistance between the combined conductors and the PE conductor with a measuring voltage of 1000 V DC. The insulation resistance must be more than 1 Mohm.



Compatibility with IT (ungrounded) and corner-grounded TN systems

■ EMC filter

 **WARNING!** Do not use the internal EMC filter of the drive in an IT system (an ungrounded power system or a high-resistance-grounded [over 30 ohms] power system). If you use the internal EMC filter, the system is connected to the ground potential through the EMC filter capacitors. This can cause danger or damage to the drive.

 **WARNING!** Do not use the internal EMC filter of the drive in a corner-grounded TN system. If you use the internal EMC filter, this can cause damage to the drive.

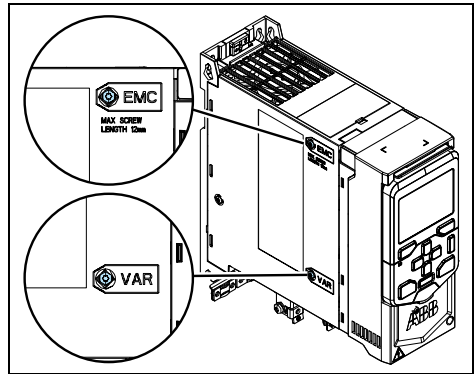
When the internal EMC filter is disconnected, the EMC compatibility of the drive decreases. Refer to [Motor cable length](#) on page 103.

■ EMC filter disconnection

This is applicable only to product variants with an internal EMC filter (EMC C2). Variants with a C4 rating do not have an internal EMC filter.

Refer to [Hardware overview](#) on page 26.

To disconnect the EMC filter, remove the EMC filter grounding screw. In some product variants, the EMC circuit is disconnected from electrical ground at the factory with a non-conducting (plastic) screw. The EMC filter is disconnected on drives with a plastic screw in the EMC filter location. To connect the filter, remove the plastic screw and insert the metal screw and washer from the hardware bag shipped with the drive.



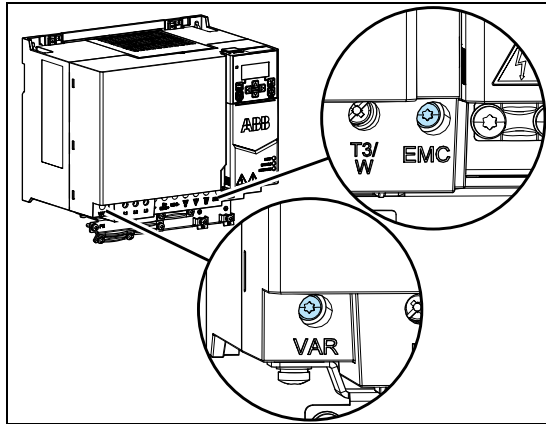
The EMC grounding screw is located on the bottom of the frame in R3 and R4 frames.

■ Ground-to-phase varistor

The metallic varistor screw (VAR) connects the varistor protection circuit to electrical ground.

To disconnect the varistor protection circuit from ground, remove the varistor screw. Refer to [Hardware overview](#) on page 26.

In some product variants the varistor protection circuit is disconnected from electrical ground at the factory with a non-conducting (plastic) screw.

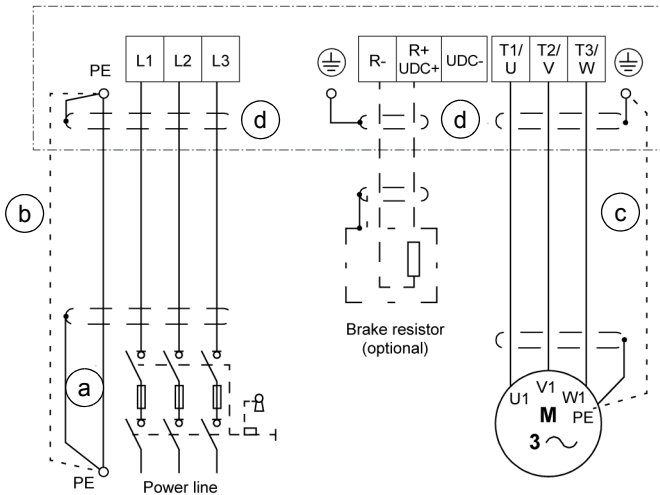


⚠ WARNING! If you connect the drive to an IT system (an ungrounded power system or a high-resistance-grounded [over 30 ohms] power system), disconnect the varistor from ground. Failure to do so can cause damage to the varistor circuit.



Connecting the power cables

■ Connection diagram



a. Two grounding conductors. Use two conductors, if the cross-section of grounding conductor is less than $10 \text{ mm}^2 \text{ Cu}$ or $16 \text{ mm}^2 \text{ Al}$ (IEC/EN 61800-5-1). For example, use the cable shield in addition to the fourth conductor.

b. Separate grounding cable (line side). Use it if the conductivity of the fourth conductor or shield is not sufficient for the protective grounding.

c. Separate grounding cable (motor side). Use it if the conductivity of the shield is not sufficient for the protective grounding, or there is no symmetrically constructed grounding conductor in the cable.

d. 360-degree grounding of the cable shield. Required for the motor cable and brake resistor cable, recommended for the input power cable.



■ Connection procedure



WARNING! Obey the [Safety instructions](#) on page 11. If you ignore them, injury or death, or damage to the equipment can occur.

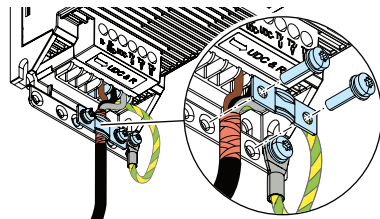
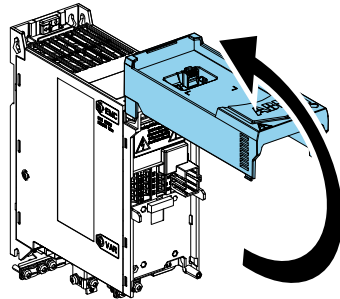
WARNING! If the drive is connected to an IT (non-grounded) system or to a corner-grounded TN system, disconnect the EMC filter grounding screw. If the drive is connected to an IT (non-grounded) system, disconnect the varistor grounding screw.

Before you start the work, do the steps in [Precautions before electrical work](#) on page 13.

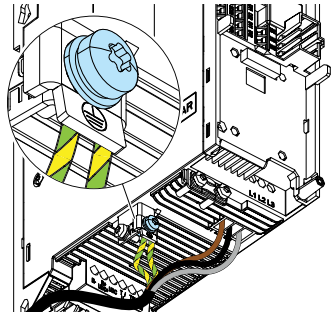
For information on cable routing, refer to [Routing the cables](#) on page 49.

For information on the correct torques, refer to [Terminal data for the power cables](#) on page 99.

1. Open the locking screw of the front cover and lift the front cover up.
2. Strip the motor cable.
3. Ground the motor cable shield under the grounding clamp.
4. Twist the motor cable shield into a bundle, mark it with yellow-green insulation tape, fit a cable lug, and connect it to the grounding terminal.
5. Connect the phase conductors of the motor cable to the T1/U, T2/V and T3/W motor terminals.
6. If it is applicable, connect the brake resistor cable to the R- and UDC+ terminals. Use a shielded cable and ground the shield under the grounding clamp.



7. Strip the input power cable.
8. If the input power cable has a shield, twist it into a bundle, mark it with yellow-green insulation tape, fit a cable lug, and connect it to the grounding terminal.
9. Connect the PE conductor of the input power cable to the grounding terminal.
10. If the combined cross-sectional area of the cable shield and PE conductor is not sufficient, use an additional PE conductor.
11. Connect the phase conductors of the input power cable to the L1, L2 and L3 input terminals.
12. Mechanically attach all of the cables on the outside of the drive.



Connecting the control cables

Before you connect the control cables, make sure that all option modules are installed. Refer to [Option modules](#) on page 69.

Refer to [Default I/O connection diagram \(ABB standard macro\)](#) on page 63 for the default I/O connections of the ABB standard macro. For other macros and information, refer to *ACS480 Firmware manual* (3AXD50000047399 [English]).

Connect the cables as shown in [Control cable connection procedure](#) on page 67.



WARNING! Obey the [Safety instructions](#) on page 11. If you ignore them, injury or death, or damage to the equipment can occur.

Before you start the work, do the steps in [Precautions before electrical work](#) on page 13.



■ **Default I/O connection diagram (ABB standard macro)**

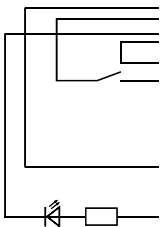
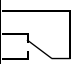
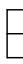
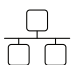
This connection diagram is valid for drives with the I/O & Modbus extension module. Refer to *Type designation key* on page 33.

Terminal	Description	Terminals in base unit	
Reference voltage and analog I/O			
	SCR	Signal cable shield (screen)	
	AI1	Output frequency/speed reference: 0...10 V	
	AGND	Analog input circuit common	
	+10 V	Reference voltage 10 V DC	
	AI2	Not configured	
	AGND	Analog input circuit common	
	AO1	Output frequency: 0...20 mA	
	AO2	Output current: 0...20 mA	
	AGND	Analog output circuit common	
	Aux. voltage output and programmable digital inputs		
	+24 V	Aux. voltage output +24 V DC, max. 200 mA	X
	DGND	Aux. voltage output common	X
	DCOM	Digital input common for all	X
	DI1	Stop (0)/Start (1)	X
	DI2	Forward (0)/Reverse (1)	X
	DI3	Constant frequency/speed selection	
	DI4	Constant frequency/speed selection	
	DI5	Ramp set 1 (0)/Ramp set 2 (1)	
	DI6	Not configured	
	Relay outputs		
	RO1C	Ready	X
	RO1A	250 V AC/30 V DC	X
	RO1B	2 A	X
	RO2C	Running	
	RO2A	250 V AC/30 V DC	
	RO2B	2 A	
	RO3C	Fault (-1)	
	RO3A	250 V AC/30 V DC	
	RO3B	2 A	
EIA-485 Modbus RTU			
B+	Embedded Modbus RTU (EIA-485)		
A-			
DGND			
TERM&BIAS	Serial data link termination switch		
Safe torque off			
SGND	Safe torque off. Factory connection. Both circuits must be closed for the drive to start.	X	
IN1		X	
IN2		X	
OUT1		X	
+24V	Auxiliary voltage output. The alternative terminals have the same supply as the base unit.		
DGND			
DCOM			



Fieldbus connection diagram

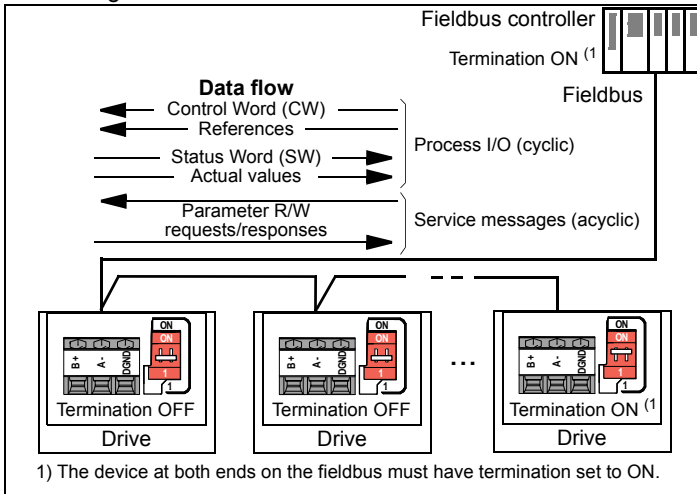
This connection diagram is valid for drives with a fieldbus extension module. Refer to [Type designation key](#) on page 33.

Terminal	Description
Aux. voltage output and digital connections	
	+24 V Aux. voltage output +24 V DC, max. 200 mA
	DGND Aux. voltage output common
	DCOM Digital input common for all
	DI1 Stop (0) / Start (1)
	DI2 Forward (0) / Reverse (1)
Relay output	
	RO1C Ready run
	RO1A 250 V AC/30 V DC
	RO1B 2 A
Safe torque off	
	SGND Safe torque off. Factory connection. Both circuits must be closed for the drive to start.
	IN1
	IN2
	OUT1
Extension module options	
	DSUB9 +K457 FCAN-01 CANopen
	DSUB9 +K454 FPBA-01 Profibus DP
	RJ45 x2 +K469 FECA-01 EtherCAT
	RJ45 x2 +K475 FENA-21 Ethernet/IP, Profinet, Modbus TCP
	RJ45 x2 +K470 FEPL-02 Ethernet Powerlink
	Terminal block +K451 FDNA-01 DeviceNet
	8P8C x2 +K462 FCNA-01 ControlNet
	RJ45 x2 +K490 FEIP-21 Two-port Modbus/IP adapter
	RJ45 x2 +K491 FMBT-21 Two-port Modbus/TCP adapter
	RJ45 x2 +K492 FPNO-21 Two-port Profinet IO adapter



■ **Connecting EIA-485 Modbus RTU terminal to the drive**

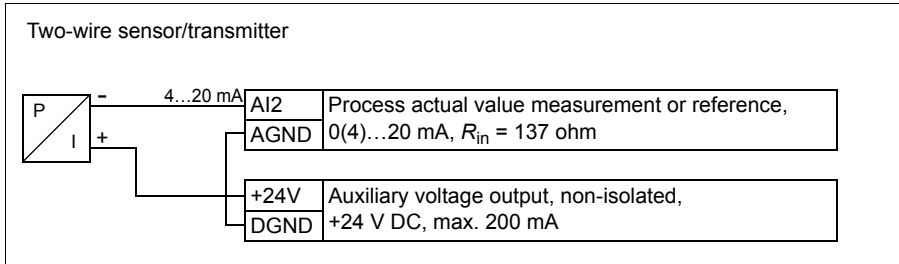
Connect the fieldbus to the EIA-485 Modbus RTU terminal on the RIIO-01 module. The connection diagram is shown below.



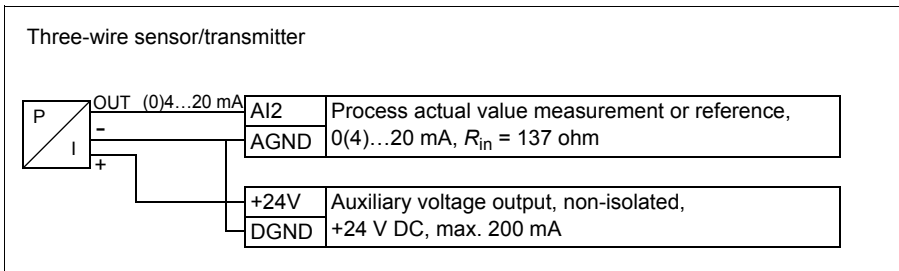
Connection examples of two-wire and three-wire sensors

The figures give examples of connections for a two-wire or three-wire sensor/transmitter that is supplied by the auxiliary voltage output of the drive.

Note: Do not exceed the maximum capability of the auxiliary 24 V (200 mA) output.



Note: The sensor is supplied through its current output and the drive feeds the supply voltage (+24 V). The output signal must be 4...20 mA, not 0...20 mA.

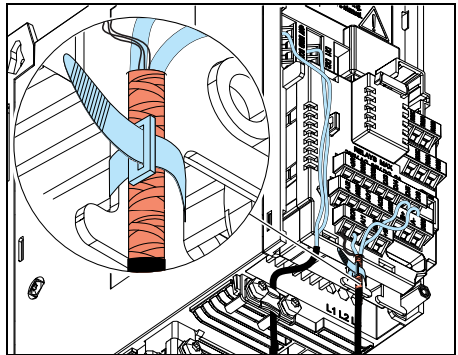


■ Control cable connection procedure

Do the connections according to the macro in use. The default macro connections are valid with the I/O module (refer to page 63), except for the ABB 2-wire limited macro.

Keep the signal wire pairs twisted as near to the terminals as possible to prevent inductive coupling.

1. Strip a part of the outer shield of the control cable for grounding.
2. Use a cable tie to ground the outer shield to the grounding tab. For 360-degree grounding, use metallic cable ties.
3. Strip the control cable conductors.
4. Connect the conductors to the correct control terminals. Torque the terminals to 0.5 N·m (0.4 lbf·ft).
5. Connect the shields of the twisted pairs and grounding wires to the SCR terminals. Torque the terminals to 0.5 N·m (0.4 lbf·ft).
6. Mechanically attach the control cables on the outside of the drive.



Option modules



WARNING! Obey the [Safety instructions](#) on page 11. If you ignore them, injury or death, or damage to the equipment can occur.

The drive has two option module slots:

- Front option: Communication module slot under the front cover.
- Side option: Multifunction extension module slot on the side of the drive.

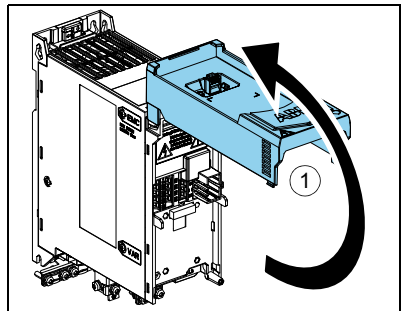
For more information, refer to the option module manual for installation and wiring instructions. For information on specific options, refer to:

- [BAPO-01 power extension module](#) on page 151.
- [BIO-01 I/O extension module](#) on page 155.

Before you install an option module, refer to [Precautions before electrical work](#) on page 13.

■ To install a front option

1. Open the locking screw of the front cover and lift the front cover up.

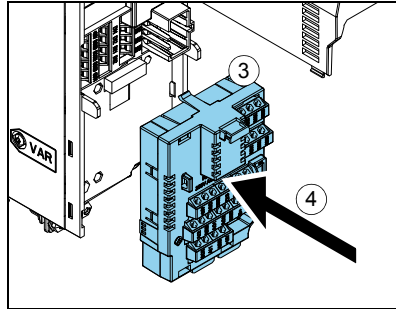


If you have the BIO-01 option module, you can add a fieldbus option module on top of it.

2. Pull the plastic locking tab of the option module up.

3. Carefully align the option module with the option module slot in the front of the drive.

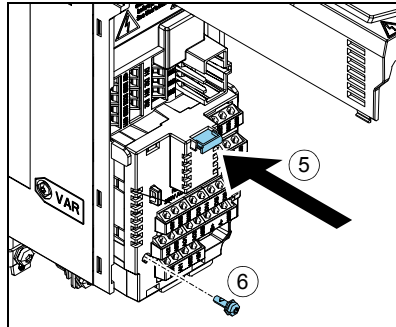
4. Fully push the option module into position.



5. Push the plastic locking tab down until it locks.

6. Tighten the locking screw.

7. Connect the applicable control cables according to [Connecting the control cables](#) on page 62.

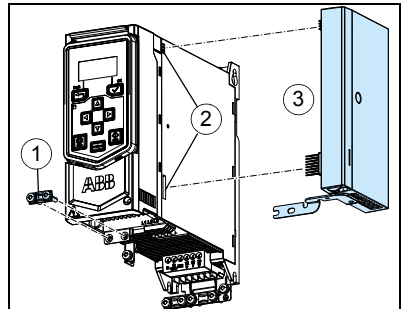


■ To remove a front option

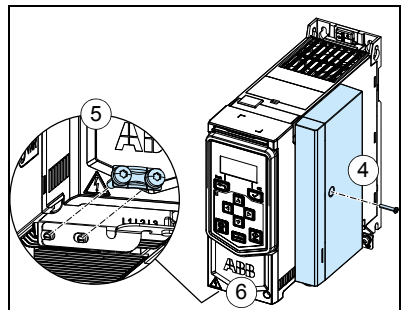
1. Disconnect the control cables from the option module.
2. Loosen the locking screw.
3. Pull the locking tab out to unlock the option module.
4. Carefully pull the option module to disconnect and remove it. Note that the option module can be tightly in position.

■ To install a side option

1. Remove the two screws from the front-most grounding clamp at the bottom of the drive.
2. Carefully align the side option with the connectors on the right side of the drive.
3. Fully push the option module into position.



4. Tighten the locking screw of the option module.
5. Attach the grounding bar to the bottom of the side option and to the front ground tab on the drive.
6. Connect the applicable control cables according to [Connecting the control cables](#) on page 62.



■ To remove a side option

1. Disconnect the control cables from the side option.
2. Open the grounding bar screws.
3. Loosen the locking screw.

Carefully remove the side option from the drive. Note that the option module can be tightly in position.





7

Installation checklist

Contents of this chapter

This chapter contains an installation checklist which you must complete before you start up the drive.

Warnings



WARNING! Obey the instructions in [Safety instructions](#) on page 11. If you ignore them, injury or death, or damage to the equipment can occur.

Checklist

Refer to [Precautions before electrical work](#) on page 13 before you start the work. Read the checklist together with another person.

<input checked="" type="checkbox"/>	Make sure that ...
<input type="checkbox"/>	The ambient operating conditions meet the specification in Ambient conditions on page 107.
<input type="checkbox"/>	If the drive is connected to an IT (non-grounded) or corner-grounded TN supply network: Internal EMC filter is disconnected. If the drive is connected to an IT (non-grounded) system, disconnect the varistor grounding screw. Refer to Compatibility with IT (ungrounded) and corner-grounded TN systems on page 57.
<input type="checkbox"/>	If the drive is stored over one year: The electrolytic DC capacitors in the DC link of the drive are reformed. Refer to Servicing the capacitors on page 82.

74 Installation checklist

<input checked="" type="checkbox"/>	Make sure that ...
<input type="checkbox"/>	There is an adequately sized protective earth (ground) conductor between the drive and the switchboard.
<input type="checkbox"/>	There is an adequately sized protective earth (ground) conductor between the motor and the drive.
<input type="checkbox"/>	All protective earth (ground) conductors are connected to the correct terminals and the terminals are tightened (pull the conductors to check).
<input type="checkbox"/>	The supply voltage matches the nominal input voltage of the drive. Read the type designation label.
<input type="checkbox"/>	The input power cable is connected to the correct terminals, the phase order is right, and the terminals are tightened. (Pull the conductors to check.)
<input type="checkbox"/>	Appropriate supply fuses and disconnector are installed.
<input type="checkbox"/>	The motor cable is connected to the correct terminals, the phase order is right, and the terminals are tightened. (Pull the conductors to check.)
<input type="checkbox"/>	The brake resistor cable (if present) is connected to the correct terminals, and the terminals are tightened. (Pull the conductors to check.)
<input type="checkbox"/>	The motor cable (and brake resistor cable, if present) is routed away from other cables.
<input type="checkbox"/>	The control cables (if any) are connected.
<input type="checkbox"/>	If a drive bypass connection is used: The direct-on-line contactor of the motor and the drive output contactor are mechanically or electrically interlocked (cannot be closed simultaneously).
<input type="checkbox"/>	There are no tools, foreign objects or dust inside the drive. There is no dust near the air inlet of the drive.
<input type="checkbox"/>	The drive cover is in place.
<input type="checkbox"/>	The motor and the driven equipment are ready for start-up.



Maintenance

Contents of this chapter

The chapter contains the preventive maintenance instructions.

Maintenance intervals

The table shows the maintenance tasks which can be done by the user. The full maintenance schedule is available at www.abb.com/drivesservices. For more information, speak to your local ABB Service representative (www.abb.com/searchchannels).

Maintenance and component replacement intervals are based on the assumption that the equipment is operated within the specified ratings and ambient conditions. Long term operation near the specified maximum ratings or ambient conditions may require shorter maintenance intervals for certain components. ABB recommends annual drive inspections to ensure the highest reliability and optimum performance.

Recommended action	Annually
Connections and environment	
Quality of the supply voltage	P
Spare parts	
Spare parts	I
Reform DC circuit capacitors (spare modules).	P
Inspections	
Tightness of the cable and busbar terminals.	I
Ambient conditions (dustiness, moisture and temperature)	I
Clean the heatsink. Refer to page 77 .	P

Maintenance task/object	Years from start-up						
	3	6	9	12	15	18	21
Cooling fans							
Main cooling fan (frames R1...R4). Refer to page 78 .		R		R		R	
Batteries							
Control panel battery			R			R	

Symbols

- I** Inspection and maintenance action, if it is necessary.
- P** Other work (commissioning, tests, measurements, etc.)
- R** Replacement of component

Cleaning the heat sink

The fins of the drive heat sink become dusty from the cooling air. If the heat sink is not clean, this can cause the drive to give overtemperature warnings and faults.



WARNING! Obey the instructions in [Safety instructions](#) on page 11. Ignoring the instructions can cause physical injury or death, or damage to the equipment.



WARNING! Use a vacuum cleaner with an antistatic hose and nozzle. A normal vacuum cleaner can cause static discharges which can cause damage to circuit boards.

To clean the heat sink:

1. Stop the drive and disconnect it from the input power.
 2. Wait for 5 minutes and measure to make sure that there is no voltage. Refer to [Precautions before electrical work](#) on page 13.
 3. Remove the cooling fan. Refer to [Replacing the cooling fans](#) on page 78.
 4. Blow clean, dry and oil free compressed air from the bottom of the heat sink to the top and use a vacuum cleaner at the air outlet to trap the dust.
If there is a risk that dust can go into other equipment, clean the heat sink in another room.
 5. Install the cooling fan.
-

Replacing the cooling fans

This instruction is applicable only to frame sizes R1, R2, R3 and R4. Frame R0 units do not have a cooling fan.

Refer to [Maintenance intervals](#) on page 76 for the fan replacement interval in normal operating conditions. Parameter 05.04 Fan on-time counter shows the running time of the cooling fan. After you replace the fan, reset the fan counter. Refer to the *ACS480 Firmware manual* (3AXD50000047399 [English]).

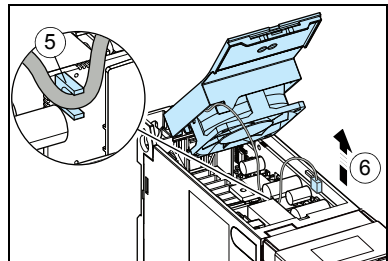
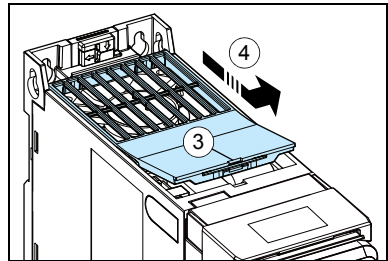
You can get replacement fans from ABB. Use only ABB specified spare parts.

■ To replace the cooling fan for frame sizes R1, R2 and R3

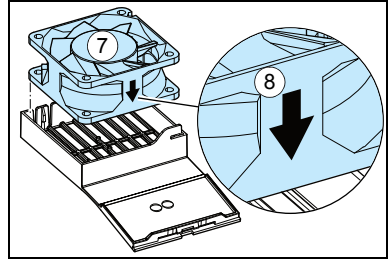


WARNING! Obey the instructions in [Safety instructions](#) on page 11. Ignoring the instructions can cause physical injury or death, or damage to the equipment.

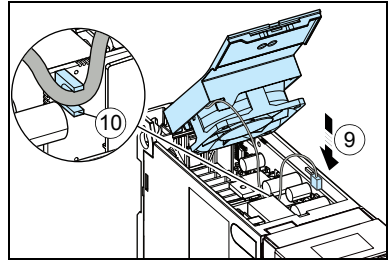
1. Stop the drive and disconnect it from the power line.
2. Wait for 5 minutes and measure to make sure that there is no voltage. Refer to [Precautions before electrical work](#) on page 13.
3. Use a suitable flat screwdriver to open the fan cover.
4. Carefully lift the fan cover out of the drive. Note that the fan cover holds the cooling fan.
5. Remove the fan power cable from the cable slot in the drive.
6. Disconnect the fan power cable.



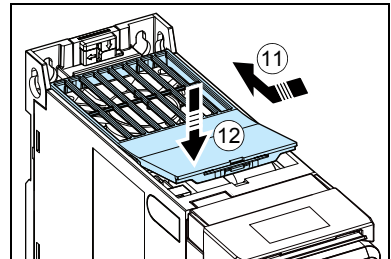
7. Free the fan clips and remove the fan from the fan cover.
8. Install the new fan into the fan cover. Make sure that the air flow is in the correct direction. The air flows in from the bottom of the drive and out from the top of the drive.



9. Connect the fan power cable.
10. Put the fan power cable into the cable slot in the drive.



11. Carefully put the fan cover into position in the drive. Make sure that the fan power cable is routed correctly.
12. Push the cover to lock into position.

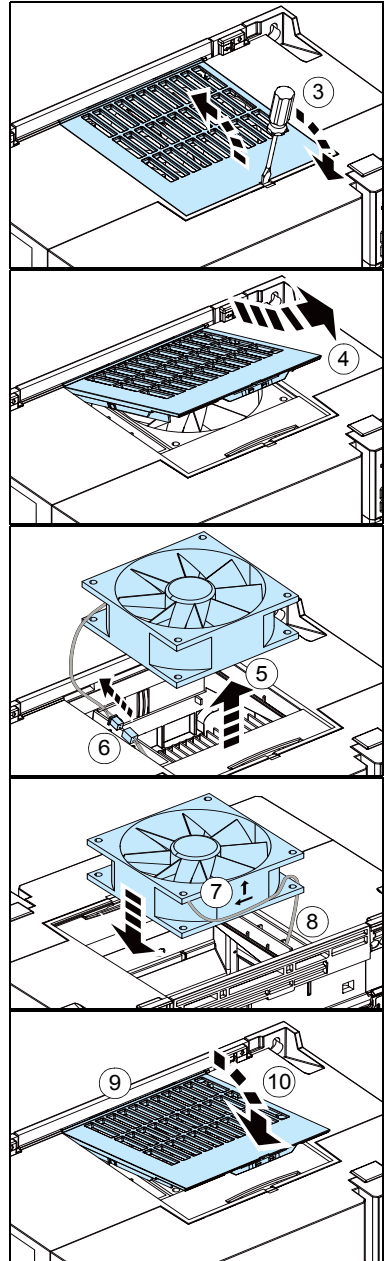


■ To replace the cooling fan for frame R4



WARNING! Obey the instructions in [Safety instructions](#) on page 13. Ignoring the instructions can cause physical injury or death, or damage to the equipment.

1. Wait for 5 minutes and measure to make sure that there is no voltage. Refer to [Precautions before electrical work](#) on page 15.
2. Stop the drive and disconnect it from the power line.
3. Use a suitable flat screwdriver to open the fan cover.
4. Lift out the fan cover and set it aside.
5. Lift and pull the fan from its base.
6. Unplug the fan power cable from the extension cable connector.
7. Replace the old fan carefully. Pay attention to the correct installation direction of the fan by following the arrow markings on the fan, they must point up and to the left. When installed correctly, the fan creates suction within the drive and blows it outwards.
8. Attach the fan power cable to the connector.
9. Place the fan cover back on the frame.
10. Push the cover to lock into position.



Servicing the capacitors

The intermediate DC circuit of the drive has electrolytic capacitors. Their lifespan depends on the operating time and loading of the drive, and the surrounding air temperature.

Capacitor failure can cause damage to the drive and an input cable fuse failure, or a fault in the drive. Contact ABB if you think that a capacitor failed.

■ Capacitor reforming

You must reform the capacitors if the drive is stored for a year or more. Refer to [Drive labels](#) on page 31 to read the manufacturing date from the serial number.

To reform the capacitors, refer to *Converter module capacitor reforming instructions* (3BFE64059629), available on the Internet (go to www.abb.com and enter the code in the Search field).



Technical data

Contents of this chapter

The chapter contains the technical specifications of the drive, such as ratings, sizes and technical requirements as well as provisions for fulfilling the requirements for CE, UL and other approval marks.

Ratings

IEC ratings

Type ACS480- 04-	Input rating Input with choke		Output ratings							Frame size
			Max. current	Nominal use		Light-duty use		Heavy-duty use		
			I_{\max}	I_N	P_N	I_{Ld}	P_{Ld}	I_{Hd}	P_{Hd}	
	I_N	I_N	A	A	kW	A	kW	A	kW	
1-phase $U_N = 200...240$ V										
02A4-1	5.0	4.2	3.2	2.4	0.37	2.3	0.37	1.8	0.25	R0
03A7-1	7.8	6.4	4.3	3.7	0.55	3.5	0.55	2.4	0.37	R0
04A8-1	10.1	8.3	6.7	4.8	0.75	4.6	0.75	3.7	0.55	R1
06A9-1	14.5	11.9	8.6	6.9	1.10	6.6	1.10	4.8	0.75	R1
07A8-1	16.4	13.5	12.4	7.8	1.5	7.4	1.5	6.9	1.1	R1
09A8-1	20.6	17.0	14.0	9.8	2.2	9.3	2.2	7.8	1.5	R2
12A2-1	25.6	21.1	17.6	12.2	3.0	11.6	3.0	9.8	2.2	R2
3-phase $U_N = 200...240$ V										
02A4-2	3.6	2.4	2.2	2.4	0.37	2.3	0.37	1.2	0.25	R1
03A7-2	5.6	3.7	3.2	3.7	0.55	3.5	0.55	1.8	0.37	R1
04A8-2	7.2	4.8	6.7	4.8	0.75	4.6	0.75	3.7	0.55	R1
06A9-2	10.4	6.9	8.6	6.9	1.1	6.6	1.1	4.8	0.75	R1
07A8-2	11.7	7.8	12.4	7.8	1.5	7.5	1.5	6.9	1.1	R1
09A8-2	14.7	9.8	14.0	9.8	2.2	9.3	2.2	7.8	1.5	R1
12A2-2	18.3	12.2	17.6	12.2	3.0	11.6	3.0	9.8	2.2	R2
17A5-2	24.6	17.5	22.0	17.5	4.0	16.7	4.0	12.2	3.0	R3
25A0-2	35.1	25.0	31.5	25.0	5.5	24.2	5.5	17.5	4.0	R3
032A-2	45.0	32.0	45.0	32.0	7.5	30.8	7.5	25.0	5.5	R4
048A-2	57.6	48.0	57.6	48.0	11.0	46.2	11.0	32.0	7.5	R4
055A-2	60.0	55.0	86.4	55.0	15.0	59.4	15.0	48.0	11	R4
3-phase $U_N = 380...480$ V										
02A7-4	4.2	2.6	3.2	2.6	0.75	2.5	0.75	1.8	0.55	R1
03A4-4	5.3	3.3	4.7	3.3	1.1	3.1	1.1	2.6	0.75	R1
04A1-4	6.4	4.0	5.9	4.0	1.5	3.8	1.5	3.3	1.1	R1
05A7-4	9.0	5.6	7.2	5.6	2.2	5.3	2.2	4.0	1.5	R1
07A3-4	11.5	7.2	10.1	7.2	3.0	6.8	3.0	5.6	2.2	R1
09A5-4	15.0	9.4	13.0	9.4	4.0	8.9	4.0	7.2	3.0	R1
12A7-4	20.2	12.6	16.9	12.6	5.5	12.0	5.5	9.4	4.0	R2
018A-4	27.2	17.0	22.7	17.0	7.5	16.2	7.5	12.6	5.5	R3
026A-4	40.0	25.0	30.6	25.0	11.0	23.8	11.0	17.0	7.5	R3
033A-4	45.0	32.0	45.0	32.0	15.0	30.5	15.0	25.0	11.0	R4
039A-4	50.0	38.0	57.6	38.0	18.5	36.0	18.5	32.0	15.0	R4
046A-4	56.0	45.0	68.4	45.0	22.0	42.8	22.0	38.0	18.5	R4
050A-4	60.0	50.0	81.0	50.0	22.0	48.0	22.0	45.0	22.0	R4

NEMA ratings

Type ACS480-04-	Input rating	Input with choke	Output ratings				Frame size
			Light-duty use		Heavy-duty use		
	I_{1N}	I_{1N}	I_{Ld}	P_{Ld}	I_{Hd}	P_{Hd}	
	A	A	A	hp	A	hp	
3-phase $U_N = 460$ V (440...480 V)							
02A7-4	3.4	2.1	2.1	1.0	1.6	0.75	R1
03A4-4	4.8	3.0	3.0	1.5	2.1	1.0	R1
04A1-4	5.4	3.4	3.5	2.0	3.0	1.5	R1
05A7-4	7.7	4.8	4.8	2.0	3.4	2.0	R1
07A3-4	9.6	6.0	6.0	3.0	4.0	2.0	R1
09A5-4	12.2	7.6	7.6	5.0	4.8	3.0	R1
12A7-4	17.6	11.0	11.0	7.5	7.6	5.0	R2
018A-4	22.4	14.0	14.0	10.0	11.0	7.5	R3
026A-4	33.6	21.0	21.0	15.0	14.0	10.0	R3
033A-4	37.9	27.0	27.0	20.0	12.0	15.0	R4
039A-4	44.7	34.0	34.0	25.0	27.0	20.0	R4
046A-4	49.8	40.0	40.0	30.0	34.0	25.0	R4
050A-4	50.4	42.0	42.0	30.0	40.0	30.0	R4

3AXD10000299801.xls

Definitions

U_N	Nominal supply voltage
I_{1N}	Nominal input current. Continuous rms input current (for dimensioning cables and fuses).
I_{max}	Maximum output current. Available for two seconds at start.
I_N	Nominal output current. Maximum continuous rms output current allowed (no overload).
P_N	Nominal power of the drive. Typical motor power (no overloading). The kilowatt ratings apply to most IEC 4-pole motors. The horsepower ratings apply to most NEMA 4-pole motors.
I_{Ld}	Maximum current with 110% overload, allowed for one minute every ten minutes
P_{Ld}	Typical motor power in light-duty use (110% overload)
I_{Hd}	Maximum current with 150% overload, allowed for one minute every ten minutes
P_{Hd}	Typical motor power in heavy-duty use (150% overload)

Sizing

Drive sizing is based on the rated motor current and power. To achieve the rated motor power, the rated current of the drive must be more than or equal to the rated motor current. Also, the rated power of the drive must be more than or equal to the rated motor power. The power ratings are the same regardless of the supply voltage in one voltage range.

The ratings are valid at a surrounding air temperature of 50 °C (104 °F) for I_N . When the temperature increases, derating is required.

Derating

The load capacity (I_N , I_{LD} , I_{HD} ; note that I_{max} is not derated) decreases in certain situations. In such situations, where full motor power is required, oversize the drive so that the derated value provides sufficient capacity.

If several situations are present at a time, the effects of derating are cumulative.

Example:

If your application requires continuous 6.0 A of motor current (I_N) at 8 kHz switching frequency, the supply voltage is 400 V and the drive is situated at 1500 m, calculate the appropriate drive size requirement as follows:

Switching frequency derating (page 87):

From the table, the minimum size required is $I_N = 9.4$ A.

Altitude derating (page 88):

The derating factor for 1500 m is $1 - 1/10\,000 \text{ m} \cdot (1500 - 1000) \text{ m} = 0.95$.

The minimum size required becomes then $I_N = 9.4 \text{ A} / 0.95 = 9.9$ A.

Referring to I_N in the ratings tables (starting from page 84), drive type ACS480-04-12A7-4 exceeds the I_N requirement of 9.9 A.

■ Surrounding air temperature derating, IP20

Frame size	Temperature	Derating
R0...R4	up to +50 °C up to +122 °F	No derating
R1...R3	+50...+60 °C +122...+140 °F	Output current is decreased by 1% for every additional 1 °C (1.8 °F).
R4	+50...+60 °C +122...+140 °F	Output current is decreased by 1% for every additional 1 °C on: <ul style="list-style-type: none"> • ACS480-04-033A-4 • ACS480-04-046A-4 Output current is decreased by 2% for every additional 1 °C on: <ul style="list-style-type: none"> • ACS480-04-039A-4 • ACS480-04-050A-4 • ACS480-04-055A-2

■ Switching frequency derating

Type ACS480-04-	Current with different switching frequencies (I_{2N} at 50 °C)			
	2 kHz	4 kHz	8 kHz	12 kHz
1-phase $U_N = 200...240$ V				
02A4-1	2.4	2.4	1.9	1.6
03A7-1	3.7	3.7	2.9	2.4
04A8-1	4.8	4.8	3.9	3.3
06A9-1	6.9	6.9	5.6	4.7
07A8-1	7.8	7.8	6.6	5.8
09A8-1	9.8	9.8	8.3	7.2
12A2-1	12.2	12.2	10.0	8.4
3-phase $U_N = 200...240$ V				
02A4-2	2.4	2.4	2.0	1.8
03A7-2	3.7	3.7	3.1	2.7
04A8-2	4.8	4.8	4.0	3.1
06A9-2	6.9	6.9	5.8	4.5
07A8-2	7.8	7.8	6.4	4.7
09A8-2	9.8	9.8	8.1	5.9
12A2-2	12.2	12.2	10.3	7.7
17A5-2	17.5	17.5	14.8	11.0
25A0-2	25.0	25.0	20.7	15.1
032A-2	32.0	32.0	26.5	19.3
048A-2	48.0	48.0	35.8	23.7
055A-2	55.0	55.0	40.7	33.1
3-phase $U_N = 380...480$ V				
02A7-4	2.6	2.6	1.7	1.2
03A4-4	3.3	3.3	2.1	1.6
04A1-4	4.0	4.0	2.6	1.9
05A7-4	5.6	5.6	3.6	2.7
07A3-4	7.2	7.2	4.7	3.5
09A5-4	9.4	9.4	6.1	4.5
12A7-4	12.6	12.6	8.5	6.4
018A-4	17.0	17.0	11.5	8.6
026A-4	25.0	25.0	16.8	12.6
033A-4	32.0	32.0	21.7	16.7
039A-4	38.0	38.0	24.6	18.5
046A-4	45.0	45.0	29.4	21.9
050A-4	50.0	50.0	32.9	24.5

3AXD1000299801.xls

For frame R4: Keep the minimum switching frequency in its default value (parameter 97.02 = 1.5 kHz) if the application is cyclic and the ambient temperature is constantly over +40 °C. Adjusting the parameter decreases the product life time and/or limits the performance in the temperature range +40...60 °C.

■ Altitude derating

230 V units: 1000...2000 m above sea level, the derating is 1% for every 100 m (330 ft).

400 V units: 1000...4000 m above sea level, the derating is 1% for every 100 m (330 ft) Up to 4000 m altitude is possible for 400 V units when following boundary conditions are taken into account:

- Maximum switching voltage for integrated Relay Output 1 is 30 V at 4000 m altitude (e.g. it is not allowed to connect 250 V to Relay Output 1).
- If the conditions are not met, the maximum altitude is 2000 m.
- When using 3-phase 400 V drive at 4000 m altitude, you can connect the drive only to the following power systems: TN-S, TN-c, TN-CS, TT (not corner earthed).

To calculate the output current, multiply the current in the rating table with the derating factor k, which for x meters (1000 m ≤ x ≤ 4000 m) is:

$$k = 1 - \frac{1}{10\,000 \text{ m}} \cdot (x - 1000) \text{ m}$$

Check the network compatibility restrictions above 1000 m (3281 ft). Check also PELV limitation on relay output terminals above 1000 m (3281 ft).

Fuses (IEC)

The tables list the gG and gR fuses for protection against short circuits in the input power cable or drive. Either fuse type can be used if it operates rapidly enough. The operating time depends on the supply network impedance, and the cross-sectional area and length of the supply cable. Refer to [Implementing short-circuit protection](#) on page 50.

Do not use fuses with a higher current rating than that given in the table. You can use fuses from other manufacturers, if they meet the ratings, and if the melting curve of the fuse does not exceed the melting curve of the fuse mentioned in the table.

■ gG fuses

Make sure that the operating time of the fuse is less than 0.5 seconds. Obey the local regulations.

Type ACS480-04-	Input current	Min. short- circuit current	Nominal current	I^2t	Voltage rating	ABB type	IEC 60269 size
	A	A	A	A ² s	V		
1-phase $U_N = 200...240$ V							
02A4-1	5.0	80	10	380	500	OFAF000H10	000
03A7-1	7.8	80	10	380	500	OFAF000H10	000
04A8-1	10.1	128	16	720	500	OFAF000H16	000
06A9-1	14.5	200	20	1500	500	OFAF000H20	000
07A8-1	16.4	200	25	2500	500	OFAF000H25	000
09A8-1	20.6	256	32	2500	500	OFAF000H32	000
12A2-1	25.6	320	35	7000	500	OFAF000H35	000
3-phase $U_N = 200...240$ V							
02A4-2	3.8	48	6	110	500	OFAF000H6	000
03A7-2	5.9	80	10	360	500	OFAF000H10	000
04A8-2	7.7	80	10	360	500	OFAF000H10	000
06A9-2	11.0	128	16	740	500	OFAF000H16	000
07A8-2	12.5	128	16	740	500	OFAF000H16	000
09A8-2	15.7	128	16	740	500	OFAF000H16	000
12A2-2	19.5	200	25	2500	500	OFAF000H25	000
17A5-2	28.0	256	32	4500	500	OFAF000H32	000
25A0-2	40.0	400	50	15500	500	OFAF000H50	000
032A-2	51.2	504	63	20000	500	OFAF000H63	000
048A-2	76.8	800	100	65000	500	OFAF000H100	000
055A-2	88.0	800	100	65000	500	OFAF000H100	000

Type ACS480-04-	Input current	Min. short- circuit current	Nominal current	I^2t	Voltage rating	ABB type	IEC 60269 size
	A	A	A	A^2s	V		
3-phase $U_N = 380...480$ V							
02A7-4	4.2	48	6	110	500	OFAF000H6	000
03A4-4	5.3	48	6	110	500	OFAF000H6	000
04A1-4	6.4	80	10	360	500	OFAF000H10	000
05A7-4	9.0	80	10	360	500	OFAF000H10	000
07A3-4	11.5	128	16	740	500	OFAF000H16	000
09A5-4	15.0	128	16	740	500	OFAF000H16	000
12A7-4	20.2	200	25	2500	500	OFAF000H25	000
018A-4	27.2	256	32	4500	500	OFAF000H32	000
026A-4	40.0	400	50	15500	500	OFAF000H50	000
033A-4	45.0	504	63	20000	500	OFAF000H63	000
039A-4	50.0	640	80	36000	500	OFAF000H80	000
046A-4	56.0	800	100	65000	500	OFAF000H100	000
050A-4	60.0	800	100	65000	500	OFAF000H100	000

3AXD10000299801.xls

■ gR fuses

Type ACS480-04-	Input current	Min. short- circuit current	Nominal current	I^2t	Voltage rating	Bussmann type	IEC 60269 size
	A	A	A	A^2s	V		
1-phase $U_N = 200...240$ V							
02A4-1	5.0	80	32	275	690	170M2695	00
03A7-1	7.8	80	32	275	690	170M2695	00
04A8-1	10.1	128	40	490	690	170M2696	00
06A9-1	14.5	200	50	1000	690	170M2697	00
07A8-1	16.4	200	63	1800	690	170M2698	00
09A8-1	20.6	256	63	1800	690	170M2698	00
12A2-1	25.6	320	63	1800	690	170M2698	00
3-phase $U_N = 200...240$ V							
02A4-2	3.8	48	25	125	690	170M2694	00
03A7-2	5.9	80	32	275	690	170M2695	00
04A8-2	7.7	80	32	275	690	170M2695	00
06A9-2	11.0	128	40	490	690	170M2696	00
07A8-2	12.5	128	40	490	690	170M2696	00
09A8-2	15.7	128	40	490	690	170M2696	00
12A2-2	19.5	200	50	1000	690	170M2697	00
17A5-2	28.0	256	63	1800	690	170M2698	00
25A0-2	40.0	400	80	3600	690	170M2699	00
032A-2	51.2	504	100	6650	690	170M2700	00
048A-2	76.8	800	160	22500	690	170M2702	00
055A-2	88.0	800	160	22500	690	170M2702	00

Type ACS480-04-	Input current	Min. short- circuit current	Nominal current	I^2t	Voltage rating	Bussmann type	IEC 60269 size
	A	A	A	A ² s	V		
3-phase $U_N = 380...480$ V							
02A7-4	4.2	48	25	125	690	170M2694	00
03A4-4	5.3	48	25	125	690	170M2694	00
04A1-4	6.4	80	32	275	690	170M2695	00
05A7-4	9.0	80	32	275	690	170M2695	00
07A3-4	11.5	128	40	490	690	170M2696	00
09A5-4	15.0	128	40	490	690	170M2696	00
12A7-4	20.2	200	50	1000	690	170M2697	00
018A-4	27.2	256	63	1800	690	170M2698	00
026A-4	40.0	400	80	3600	690	170M2699	00
033A-4	45.0	504	100	6650	690	170M2700	00
039A-4	50.0	640	125	12000	690	170M2701	00
046A-4	56.0	800	160	22500	690	170M2702	00
050A-4	60.0	800	160	22500	690	170M2702	00

3AXD10000299801.xls

■ UL fuses

Type ACS480-04-	Input current	Min. short- circuit current	Nominal current	Voltage rating	Bussmann/ Edison type	Type
	A	A	A	V		
1-phase $U_N = 200...240$ V						
02A4-1	5.0	80	10	300	JJN/TJN10	UL class T
03A7-1	7.8	80	10	300	JJN/TJN10	UL class T
04A8-1	10.1	128	20	300	JJN/TJN20	UL class T
06A9-1	14.5	200	20	300	JJN/TJN20	UL class T
07A8-1	16.4	200	25	300	JJN/TJN25	UL class T
09A8-1	20.6	256	25	300	JJN/TJN25	UL class T
12A2-1	25.6	320	35	300	JJN/TJN35	UL class T
3-phase $U_N = 200...240$ V						
02A4-2	3.8	48	6	600	JJS/TJS6	UL class T
03A7-2	5.9	80	10	600	JJS/TJS10	UL class T
04A8-2	7.7	80	10	600	JJS/TJS10	UL class T
06A9-2	11.0	128	20	600	JJS/TJS20	UL class T
07A8-2	12.5	128	20	600	JJS/TJS20	UL class T
09A8-2	15.7	128	20	600	JJS/TJS20	UL class T
12A2-2	19.5	200	25	600	JJS/TJS25	UL class T
17A5-2	28.0	256	35	600	JJS/TJS35	UL class T
25A0-2	40.0	400	50	600	JJS/TJS50	UL class T
032A-2	51.2	504	60	600	JJS/TJS60	UL class T
048A-2	76.8	800	100	600	JJS/TJS100	UL class T
055A-2	88.0	800	100	600	JJS/TJS100	UL class T
3-phase $U_N = 380...480$ V						
02A7-4	4.2	48	6	600	JJS/TJS6	UL class T
03A4-4	5.3	48	6	600	JJS/TJS6	UL class T
04A1-4	6.4	80	10	600	JJS/TJS10	UL class T
05A7-4	9.0	80	10	600	JJS/TJS10	UL class T
07A3-4	11.5	128	20	600	JJS/TJS20	UL class T
09A5-4	15.0	128	20	600	JJS/TJS20	UL class T
12A7-4	20.2	200	25	600	JJS/TJS25	UL class T
018A-4	27.2	256	35	600	JJS/TJS35	UL class T
026A-4	40.0	400	50	600	JJS/TJS50	UL class T
033A-4	45.0	504	60	600	JJS/TJS60	UL class T
039A-4	50.0	640	80	600	JJS/TJS80	UL class T
046A-4	56.0	800	100	600	JJS/TJS100	UL class T
050A-4	60.0	800	100	600	JJS/TJS100	UL class T

Alternate short-circuit protection

■ Miniature circuit breakers (IEC environment)

The protective characteristics of the circuit breakers depend on the type, construction and settings of the breakers. There are also limitations pertaining to the short-circuit capacity of the supply network. Your local ABB representative can help you in selecting the breaker type when the supply network characteristics are known.



WARNING! Due to the inherent operating principle and construction of circuit breakers, independent of the manufacturer, hot ionized gases can escape from the breaker enclosure in case of a short-circuit. To ensure safe use, pay special attention to the installation and placement of the breakers. Obey the manufacturer's instructions.

You can use the circuit breakers listed below. You can also use other circuit breakers with the drive if they provide the same electrical characteristics. ABB does not assume any liability whatsoever for the correct function and protection with circuit breakers not listed below. Furthermore, if the recommendations given by ABB are not obeyed, the drive can experience problems the warranty does not cover.

Note: Miniature circuit breakers with or without fuses have not been evaluated for use as short circuit protection in USA (UL) environments.

Type code 1-phase $U_N = 200...240\text{ V}$ (200, 208, 220, 230, 240 V)	Frame	ABB miniature circuit breaker		kA ¹⁾
		Type		
ACS480-04-02A4-1	R0	S 201P-B 10 NA		5
ACS480-04-03A7-1	R0	S 201P-B 10 NA		5
ACS480-04-04A8-1	R1	S 201P-B 16 NA		5
ACS480-04-06A9-1	R1	S 201P-B 20 NA		5
ACS480-04-07A8-1	R1	S 201P-B 25 NA		5
ACS480-04-09A8-1	R2	S 201P-B 25 NA		5
ACS480-04-12A2-1	R2	S 201P-B 32 NA		5
3-phase $U_N = 380...480\text{ V}$ (380, 400, 415, 440, 460, 480 V)				
ACS480-04-02A7-4	R1	S 203P-B 6		5
ACS480-04-03A4-4	R1	S 203P-B 6		5
ACS480-04-04A1-4	R1	S 203P-B 8		5
ACS480-04-05A7-4	R1	S 203P-B 10		5
ACS480-04-07A3-4	R1	S 203P-B 16		5
ACS480-04-09A5-4	R1	S 203P-B 16		5
ACS480-04-12A7-4	R2	S 203P-B 25		5
ACS480-04-018A-4	R3	S 203P-B 32		5
ACS480-04-026A-4	R3	S 203P-B 50		5
ACS480-04-033A-4	R4	Contact ABB		
ACS480-04-039A-4	R4	Contact ABB		
ACS480-04-046A-4	R4	Contact ABB		
ACS480-04-050A-4	R4	Contact ABB		

1) Maximum allowed rated conditional short-circuit current (IEC 61800-5-1) of the electrical power network.

■ Self-protected combination manual controller – Type E USA (UL) environment

You can use the ABB Type E manual motor protectors MS132 & S1-M3-25, MS165-xx and MS5100-100 as an alternate to the recommended fuses as a means of branch circuit protection. This is in accordance with the National Electrical Code (NEC). When the correct ABB Type E manual motor protector is selected from the table and used for branch circuit protection, the drive is suitable for use in a circuit capable of delivering no more than 65 kA RMS symmetrical amperes at the drive's maximum rated voltage. See the following table for the appropriate ratings. See the MMP rating table for the minimum enclosure volume of IP20 open type ACS380 mounted in an enclosure.

Type code	Frame	MMP type ^{1) 2)}	Minimum enclosure volume ⁵⁾	
			dm ³	cu in
1-phase $U_N = 200...240$ V (200, 208, 220, 230, 240 V)				
ACS480-04-02A4-1	R0	MS132-6.3 & S1-M3-25 ³⁾	30.2	1842
ACS480-04-03A7-1	R0	MS132-10 & S1-M3-25 ³⁾	30.2	1842
ACS480-04-04A8-1	R1	MS165-16	30.2	1842
ACS480-04-06A9-1	R1	MS165-16	30.2	1842
ACS480-04-07A8-1	R1	MS165-20	30.2	1842
ACS480-04-09A8-1	R2	MS165-25	30.2	1842
ACS480-04-12A2-1	R2	MS165-32	30.2	1842
3-phase $U_N = 380...480$ V (380, 400, 415, 440, 460, 480 V) ^{4) 5)}				
ACS480-04-02A7-4	R1	MS132-6.3 & S1-M3-25 ³⁾	30.2	1842
ACS480-04-03A4-4	R1	MS132-6.3 & S1-M3-25 ³⁾	30.2	1842
ACS480-04-04A1-4	R1	MS132-10 & S1-M3-25 ³⁾	30.2	1842
ACS480-04-05A7-4	R1	MS132-10 & S1-M3-25 ³⁾	30.2	1842
ACS480-04-07A3-4	R1	MS165-16	30.2	1842
ACS480-04-09A5-4	R1	MS165-16	30.2	1842
ACS480-04-12A7-4	R2	MS165-20	30.2	1842
ACS480-04-018A-4	R3	MS165-32	30.2	1842
ACS480-04-026A-4	R3	MS165-42	30.2	1842
ACS480-04-033A-4	R4	Contact ABB		
ACS480-04-039A-4	R4	Contact ABB		
ACS480-04-046A-4	R4	Contact ABB		
ACS480-04-050A-4	R4	Contact ABB		

1) All manual motor protectors listed are Type E self-protected up to 65 kA. See the ABB publication 2CDC131085M0201 – Manual Motor Starters – North American Applications for complete technical data on the ABB Type E manual motor protectors. In order for these manual motor protectors to be used for branch circuit protection, they must be UL listed Type E manual motor protectors, otherwise they can be used only as an At Motor Disconnect. "At Motor Disconnect" is a disconnect just ahead of the motor on the load side of the panel.

2) Manual motor protectors may require adjusting the trip limit from the factory setting at or above the drive input Amps to avoid nuisance tripping. If the manual motor protector is set to the maximum current trip level and nuisance tripping is occurring, select the next size MMP. (MS132-10 is the highest size in the MS132 frame size to meet Type E at 65 kA; the next size up is MS165-16.)

3) Requires the use of the S1-M3-25 line side feeder terminal with the manual motor protector to meet Type E self-protection class.

4) 480Y/277V delta systems only: Short-circuit protective devices with slash voltage ratings (e.g. 480Y/277 V AC) can be applied only in solidly grounded networks where the voltage from line-to-ground does not exceed the lower of the two ratings (e.g. 277 V AC), and the voltage from line-to-line does not exceed the

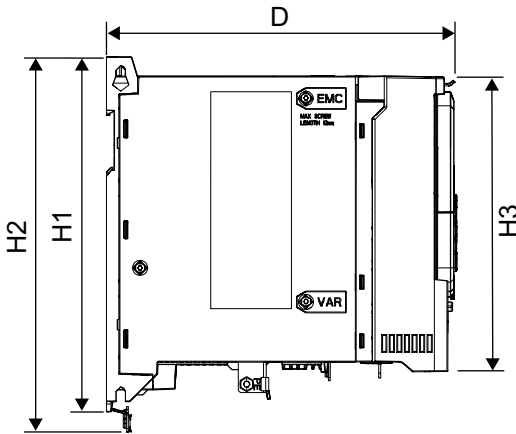
higher of the two ratings (e.g. 480 V AC). The lower rating represents the device's interrupting capability per pole.

5) For all drives, the enclosure must be sized to accommodate the specific thermal considerations of the application as well as provide free space for cooling. Refer to [Free space requirements](#) on page 97. For UL only: The minimum enclosure volume is specified in the UL listing when applied with the ABB Type E MMP shown in the table. The drives are intended to be mounted in an enclosure, unless a NEMA-1 kit is added.

Dimensions and weights

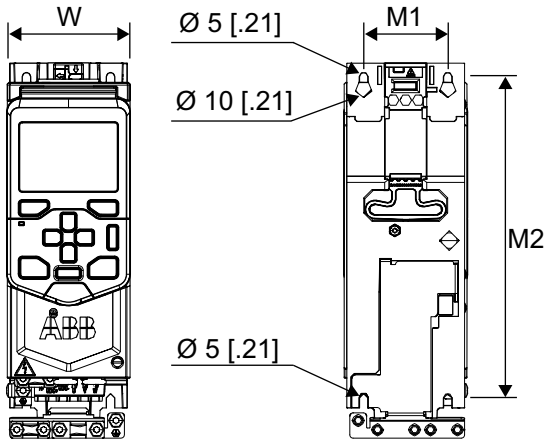
Frame size	Dimensions and weights (IP20 / UL type open)															
	H1		H2		H3		W		D		M1		M2		Weight	
	mm	in	mm	in	mm	in	mm	in	mm	in	mm	in	mm	in	kg	lb
R0	205	8.07	223	8.78	176	6.93	73	2.87	207	8.15	50	1.97	191	7.52	1.70	3.74
R1	205	8.07	223	8.78	176	6.93	73	2.87	207	8.15	50	1.97	191	7.52	1.77	3.90
R2	205	8.07	223	8.78	176	6.93	97	3.80	207	8.15	75	2.95	191	7.52	2.35	5.19
R3	205	8.07	220	8.66	176	6.93	172	6.76	207	8.15	148	5.83	191	7.52	3.52	7.76
R4	205	8.07	240	9.45	176	6.93	260	10.24	212	8.35	238	9.37	191	7.52	6.02	13.3

3AXD10000299801.xls



Symbols

- H1** Height back
- H2** Height back
- H3** Height front
- W** Width
- D** Depth
- M1** Mounting hole distance 1
- M2** Mounting hole distance 2



Free space requirements

Frame size	Free space requirement					
	Above		Below		On the sides ⁽¹⁾	
	mm	in	mm	in	mm	in
R0...R4	75	3	75	3	0	0

3AXD10000299801.xls

1) You can install the modules side by side, but if you plan to install side-mounted options, leave 20 mm of space to the right side of the module.

Losses, cooling data and noise

Frame size R0 has natural convection cooling. Frame sizes R1...R4 have a cooling fan. The air flow direction is from bottom to top.

The table below specifies the heat dissipation in the main circuit at nominal load and in the control circuit with minimum load (I/O and panel not in use) and maximum load (all digital inputs in the on state and the panel, fieldbus and fan in use). The total heat dissipation is the sum of the heat dissipation in the main and control circuits.

Type	Heat dissipation				Air flow	Noise	Frame size
	Main circuit at rated I_{1N} and I_{2N}	Control circuit minimum	Control circuit maximum	Main and control boards maximum			
1-phase $U_N = 200...240$ V							
02A4-1	32	7	18	51	-	< 30 dB	R0
03A7-1	46	7	18	65	-	< 30 dB	R0
04A8-1	59	9	20	80	57	63 dB	R1
06A9-1	85	9	20	105	57	63 dB	R1
07A8-1	95	9	20	115	57	63 dB	R1
09A8-1	115	9	20	135	63	59 dB	R2
12A2-1	145	9	20	165	63	59 dB	R2
3-phase $U_N = 200...240$ V							
02A4-2	19	9	20	39	57	63 dB	R1
03A7-2	26	9	20	46	57	63 dB	R1
04A8-2	35	9	20	55	57	63 dB	R1
06A9-2	42	9	20	62	57	63 dB	R1
07A8-2	50	9	20	70	57	63 dB	R1
09A8-2	68	9	20	88	57	63 dB	R1
12A2-2	87	9	20	107	63	59 dB	R2
17A5-2	116	11	22	138	128	66 dB	R3
25A0-2	160	11	22	182	128	66 dB	R3
032A-2	218	18	30	247	150	69 dB	R4
048A-2	319	18	30	349	150	69 dB	R4
055A-2	435	18	30	465	150	69 dB	R4
3-phase $U_N = 380...480$ V							
02A7-4	35	9	20	55	57	63 dB	R1
03A4-4	42	9	20	62	57	63 dB	R1

Type ACS480-04-	Heat dissipation				Air flow	Noise	Frame size
	Main circuit at rated I_{1N} and I_{2N}	Control circuit minimum	Control circuit maximum	Main and control boards maximum			
	W	W	W	W	m ³ /h	dB(A)	
04A1-4	50	9	20	70	57	63 dB	R1
05A7-4	68	9	20	88	57	63 dB	R1
07A3-4	88	9	20	108	57	63 dB	R1
09A5-4	115	9	20	135	57	63 dB	R1
12A7-4	158	9	20	178	63	59 dB	R2
018A-4	208	11	22	230	128	66 dB	R3
026A-4	322	11	22	344	128	66 dB	R3
033A-4	435	18	30	465	216	69 dB	R4
039A-4	537	18	30	566	216	69 dB	R4
046A-4	638	18	30	668	216	69 dB	R4
050A-4	638	18	30	668	216	69 dB	R4

3AXD10000299801.xls

Terminal data for the power cables

Type ACS480-04-	U1, V1, W1 / U2, V2, W2 / BRK+, BRK- / DC+, DC- terminals					PE terminal			
	Min (solid/stranded)		Max (solid/stranded)		Torque		Torque		
	mm ²	AWG	mm ²	AWG	N·m	lbf·in	N·m	lbf·in	
1-phase $U_N = 200...240$ V									
02A4-1	0.2/0.2	18	6/6	10	0.5...0.6	5	1.2	10.6	
03A7-1	0.2/0.2	18	6/6	10	0.5...0.6	5	1.2	10.6	
04A8-1	0.2/0.2	18	6/6	10	0.5...0.6	5	1.2	10.6	
06A9-1	0.2/0.2	18	6/6	10	0.5...0.6	5	1.2	10.6	
07A8-1	0.2/0.2	18	6/6	10	0.5...0.6	5	1.2	10.6	
09A8-1	0.5/0.5	18	6/6	10	0.5...0.6	5	1.2	10.6	
12A2-1	0.5/0.5	18	6/6	10	0.5...0.6	5	1.2	10.6	
3-phase $U_N = 200...240$ V									
02A4-2	0.2/0.2	18	6/6	8	0.5...0.6	5	1.2	10.6	
03A7-2	0.2/0.2	18	6/6	8	0.5...0.6	5	1.2	10.6	
04A8-2	0.2/0.2	18	6/6	8	0.5...0.6	5	1.2	10.6	
06A9-2	0.2/0.2	18	6/6	8	0.5...0.6	5	1.2	10.6	
07A8-2	0.2/0.2	18	6/6	8	0.5...0.6	5	1.2	10.6	
09A8-2	0.2/0.2	18	6/6	8	0.5...0.6	5	1.2	10.6	
12A2-2	0.2/0.2	24	6/6	10	0.5...0.6	5	1.2	10.6	
17A5-2	0.5/0.5	20	16/16	6	1.2...1.5	11...13	1.2	10.6	
25A0-2	0.5/0.5	20	16/16	6	1.2...1.5	11...13	1.2	10.6	
032A-2	0.5/0.5	20	25/35	2	2.5...3.7	22...32	2.9	25.7	
048A-2	0.5/0.5	20	25/35	2	2.5...3.7	22...32	2.9	25.7	
055A-2	0.5/0.5	20	25/35	2	2.5...3.7	22...32	2.9	25.7	
3-phase $U_N = 380...480$ V									
02A7-4	0.2/0.2	18	6/6	10	0.5...0.6	5	1.2	10.6	
03A4-4	0.2/0.2	18	6/6	10	0.5...0.6	5	1.2	10.6	
04A1-4	0.2/0.2	18	6/6	10	0.5...0.6	5	1.2	10.6	
05A7-4	0.2/0.2	18	6/6	10	0.5...0.6	5	1.2	10.6	
07A3-4	0.2/0.2	18	6/6	10	0.5...0.6	5	1.2	10.6	
09A5-4	0.2/0.2	18	6/6	10	0.5...0.6	5	1.2	10.6	
12A7-4	0.2/0.2	18	6/6	10	0.5...0.6	5	1.2	10.6	
018A-4	0.5/0.5	20	16/16	6	1.2...1.5	11...13	1.2	10.6	
026A-4	0.5/0.5	20	16/16	6	1.2...1.5	11...13	1.2	10.6	
033A-4	0.5/0.5	20	16/16	6	2.5...3.7	22...32	2.9	25.7	
039A-4	0.5/0.5	20	25/35	2	2.5...3.7	22...32	2.9	25.7	
046A-4	0.5/0.5	20	25/35	2	2.5...3.7	22...32	2.9	25.7	
050A-4	0.5/0.5	20	25/35	2	2.5...3.7	22...32	2.9	25.7	

Terminal data for the control cables

Type ACS480-04-	All control cables			
	Wire size		Torque	
	mm ²	AWG	N·m	lbf·in
1-phase $U_N = 200...240$ V				
02A4-1	0.14...1.5	26...16	0.5...0.6	4.4...5.3
03A7-1	0.14...1.5	26...16	0.5...0.6	4.4...5.3
04A8-1	0.14...1.5	26...16	0.5...0.6	4.4...5.3
06A9-1	0.14...1.5	26...16	0.5...0.6	4.4...5.3
07A8-1	0.14...1.5	26...16	0.5...0.6	4.4...5.3
09A8-1	0.14...1.5	26...16	0.5...0.6	4.4...5.3
12A2-1	0.14...1.5	26...16	0.5...0.6	4.4...5.3
3-phase $U_N = 200...240$ V				
02A4-2	0.14...1.5	26...16	0.5...0.6	4.4...5.3
03A7-2	0.14...1.5	26...16	0.5...0.6	4.4...5.3
04A8-2	0.14...1.5	26...16	0.5...0.6	4.4...5.3
06A9-2	0.14...1.5	26...16	0.5...0.6	4.4...5.3
07A8-2	0.14...1.5	26...16	0.5...0.6	4.4...5.3
09A8-2	0.14...1.5	26...16	0.5...0.6	4.4...5.3
12A2-2	0.14...1.5	26...16	0.5...0.6	4.4...5.3
17A5-2	0.14...1.5	26...16	0.5...0.6	4.4...5.3
25A0-2	0.14...1.5	26...16	0.5...0.6	4.4...5.3
032A-2	0.14...1.5	26...16	0.5...0.6	4.4...5.3
048A-2	0.14...1.5	26...16	0.5...0.6	4.4...5.3
055A-2	0.14...1.5	26...16	0.5...0.6	4.4...5.3
3-phase $U_N = 380...480$ V				
02A7-4	0.14...1.5	26...16	0.5...0.6	4.4...5.3
03A4-4	0.14...1.5	26...16	0.5...0.6	4.4...5.3
04A1-4	0.14...1.5	26...16	0.5...0.6	4.4...5.3
05A7-4	0.14...1.5	26...16	0.5...0.6	4.4...5.3
07A3-4	0.14...1.5	26...16	0.5...0.6	4.4...5.3
09A5-4	0.14...1.5	26...16	0.5...0.6	4.4...5.3
12A7-4	0.14...1.5	26...16	0.5...0.6	4.4...5.3
018A-4	0.14...1.5	26...16	0.5...0.6	4.4...5.3
026A-4	0.14...1.5	26...16	0.5...0.6	4.4...5.3
033A-4	0.14...1.5	26...16	0.5...0.6	4.4...5.3
039A-4	0.14...1.5	26...16	0.5...0.6	4.4...5.3
046A-4	0.14...1.5	26...16	0.5...0.6	4.4...5.3
050A-4	0.14...1.5	26...16	0.5...0.6	4.4...5.3

External EMC filters

To comply with EMC limits in the European EMC Directive (standard IEC/EN 61800-3) with longer maximum motor cable lengths, use an external EMC filter. The table shows the EMC category that is met with the external EMC filter. For information on the maximum permitted motor cable length, refer to [Motor cable length](#) on page 103.

Type ACS480-04-	EMC filter type		Category		
	ABB order code	Schaffner order code	C1	C2	C3
1-phase $U_N = 200...240$ V					
02A4-1	RFI-11	FN 21754-6.1-07	x	x	x
03A7-1	RFI-12	FN 21754-16.1-07	x	x	x
04A8-1	RFI-12	FN 21754-16.1-07	x	x	x
06A9-1	RFI-12	FN 21754-16.1-07	x	x	x
07A8-1	N/A	N/A	-	-	-
09A8-1	N/A	N/A	-	-	-
12A2-1	N/A	N/A	-	-	-
3-phase $U_N = 380...480$ V					
02A7-4	RFI-32	FN 3268-16-44	x	x	x
03A4-4	RFI-32	FN 3268-16-44	x	x	x
04A1-4	RFI-32	FN 3268-16-44	x	x	x
05A7-4	RFI-32	FN 3268-16-44	x	x	x
07A3-4	RFI-32	FN 3268-16-44	x	x	x
09A5-4	RFI-32	FN 3268-16-44	x	x	x
12A7-4	RFI-33	FN 3268-30-33	x	x	x
018A-4	RFI-33	FN 3268-30-33	x	x	x
026A-4	RFI-34	FN 3258-100-35	x	x	x
033A-4	RFI-34	FN 3258-100-35		x	x
039A-4	RFI-34	FN 3258-100-35		x	x
046A-4	RFI-34	FN 3258-100-35		x	x
050A-4	RFI-34	FN 3258-100-35		x	x

3AXD10000299801.xls

To use an external EMC filter, remove the EMC screw. Refer to [EMC filter disconnection](#) on page 57.

Electric power network specification

Voltage (U_1) 200/208/220/230/240 V AC 1-phase for 200 V AC drives
200/208/220/230/240 V AC 3-phase for 200 V AC drives
380/400/415/440/460/480 V AC 3-phase for 400 V AC drives
+10%/-15% variation from converter nominal voltage is allowed as default.

Network type Public low-voltage networks. TN (grounded), IT (ungrounded) and corner-grounded TN systems.

Rated conditional short-circuit current (IEC 61439-1) 65 kA when protected by fuses given in the fuse tables.

Short-circuit current protection (UL 61800-5-1, CSA C22.2 No. 274-13) US and Canada: The drive is suitable for use on a circuit capable of delivering not more than 100 kA symmetrical amperes (rms) at 480 V maximum when protected by fuses given in the fuse table.

Mains choke Use a mains choke if the short-circuit capacity of the network at the drive terminals is more than in the table:

Frame size/ Voltage rating	R0, R1, R2	R3, R4
1-phase 230 V	>5.0 kA	>7.5 kA
3-phase 230 V	>5.0 kA	>7.5 kA
3-phase 380...480 V	>5.0 kA	>10 kA

You can use one choke for several drives if the short-circuit capacity at the drive terminals is reduced to the value in the table.

Frequency (f1) 47 to 63 Hz, maximum rate of change 17%/s

Imbalance Max. $\pm 3\%$ of nominal phase to phase input voltage

Fundamental power factor (cos phi) 0.98 (at nominal load)

Motor connection data

Motor type	Asynchronous induction motor or permanent magnet synchronous motor
Voltage (U_2)	0 to U_1 , 3-phase symmetrical, U_{\max} at the field weakening point
Short-circuit protection (IEC 61800-5-1, UL 61800-5-1)	The motor output is short-circuit proof by IEC 61800-5-1 and UL 61800-5-1.
Frequency (f_2)	0...599 Hz (On the type label, this is input frequency level f_1 .)
Frequency resolution	0.01 Hz
Current	See Ratings on page 84.
Switching frequency	2, 4, 8 or 12 kHz

Motor cable length

Operational functionality and motor cable length

The drive is designed to operate with optimum performance with the following maximum motor cable lengths. The motor cable lengths may be extended with output chokes as shown in the table.

Frame size	Maximum motor cable length	
	m	ft
Standard drive, without external options		
R0	30	100
R1, R2	150	492
R3, R4	150	492
With external output chokes		
R0	60	195
R1...R3	250	820
R4	200	656

Note: In multimotor systems, the calculated sum of all motor cable lengths must not exceed the maximum motor cable length given in the table.

EMC compatibility and motor cable length

To comply with the EMC limits in the European EMC Directive (standard IEC/EN 61800-3), use these maximum motor cable lengths for the 4 kHz switching frequency.

Frame size	Maximum motor cable length, 4 kHz					
	C1		C2		C3	
	m	ft	m	ft	m	ft
With internal EMC filter						
1-phase 208...240 V						
R0	-	-	10	30	30	100
R1	-	-	10	30	30	100
R2	-	-	10	30	30	100
3-phase 380...480 V						
R0	-	-	10	30	30	100
R1	-	-	10	30	30	100
R2	-	-	10	30	20	66
R3	-	-	10	30	30	100
R4	-	-	10	30	30	100
With optional external EMC filter						
1-phase 208...240 V						
R0	10	100	50	150	50	150
R1	10	100	50	150	50	150
R2	-	-	50	150	50	150
3-phase 208...240 V/380...480 V						
R0	30	100	50	150	50	150
R1	30	100	50	150	50	150
R2	30	100	50	150	50	150
R3	30	100	50	150	50	150
R4	-	-	30	100	50	150

1) Category C1 with conducted emissions only. Radiated emissions are not compatible when measured with the standard emission measurement setup and must be measured on cabinet and machine installations for each case.

Notes:

- Remove the EMC screw to disconnect the internal EMC filter. Refer to [EMC filter disconnection](#) on page 57.
- Radiated emissions are according to C2 with and without an external EMC filter. For 200 V frames, use a metal enclosure to fulfill radiated emissions C2 limits with an external EMC filter.
- For 3-phase 380...400 V drives, the maximum motor cable lengths are according to C3 in the above table with an internal EMC filter.
- For 1-phase and 3-phase 208...240 V drives, the maximum motor cable lengths are according to the motor cable length table on page 103. The EMC category for these drives is C4 (no EMC).

Control connection data

Analog inputs (AI1, AI2)	Voltage signal, single-ended	0...10 V DC (10% overrange, 11 V DC max.) $R_{in} = 221.6 \text{ kohm}$	
	Current signal, single-ended	0...20 mA (10% overrange, 22 mA max.) $R_{in} = 137 \text{ ohm}$	
	Inaccuracy	$\leq 1.0\%$, of full scale	
	Overvoltage protection	up to 30 V DC	
	Potentiometer reference value	10 V DC $\pm 1\%$, max. load current 10 mA	
	Analog output (AO1, AO2)	Current output mode	0...20 mA (10% overrange, 22 mA max.) into 500 ohm load (AO2 only supports output current)
Voltage output mode		0...10 V DC (10% overrange, 11 V DC max.) into 200 kohm minimum load (resistive)	
Inaccuracy		$\leq 2\%$, of full scale	
Auxiliary voltage output / optional input (+24V)	As output	+24 V DC $\pm 10\%$, max. 200 mA	
	As input (optional)	+24 V DC $\pm 10\%$, max. 1000 mA (incl internal fan load)	
Digital inputs (DI1...DI6)	Voltage	12...24 V DC (int. or ext. supply) Max. 30 V DC.	
	Type	PNP and NPN	
	Input impedance	$R_{in} = 2 \text{ kohm}$	
	DI5 (digital or frequency input)	Voltage	12...24 V DC (int. or ext. supply) max. 30 V DC.
Type		PNP and NPN	
Input impedance		$R_{in} = 2 \text{ kohm}$	
Max. frequency		16 kHz	
Relay output (RO1, RO2, RO3)	Type	1 form C (NO + NC)	
	Max. switching voltage	250 V AC / 30 V DC	
	Max. switching current	2 A	
Frequency input (FI)		10 Hz...16 kHz	
		DI5 can be used as a digital or frequency input.	
STO interface		Refer to Safe torque off function on page 137.	

Brake resistor connection

Short-circuit protection (IEC 61800-5-1, IEC 60439-1, UL 61800-5-1) The brake resistor output is conditionally short-circuit proof by IEC/EN 61800-5-1 and UL 61800-5-1. For correct fuse selection, contact your local ABB representative. Rated conditional short-circuit current as defined in IEC 60439-1.

Efficiency

Approximately 98% at nominal power level.

Degrees of protection

Degree of protection (IEC/EN 60529) IP20 (cabinet installation) / UL Open Type: Standard enclosure. The drive must be installed in a cabinet to fulfill the requirements for shielding from contact.

Enclosure types (UL 61800-5-1) UL Open Type. For indoor use only.

Overvoltage category (IEC 60664-1) III

Protective classes (IEC/EN 61800-5-1) I

Ambient conditions

Environmental limits for the drive are given below. The drive is to be used in a heated indoor controlled environment.

	Operation installed for stationary use	Storage in the protective package	Transportation in the protective package
Installation site altitude	<p>230 V units: 0 to 2000 m above sea level (with derating above 1000 m)</p> <p>400 V units: 0 to 4000 m above sea level (with derating above 1000 m)</p> <p>For more information, refer to Derating on page 86.</p>	-	-
Surrounding air temperature	<p>-10...+60 °C (14...140 °F)¹⁾</p> <p>No frost allowed. Refer to Derating on page 86.</p> <p>1) For frame R0, -10...+50 °C (14...122 °F).</p>	-40...+70 °C ±2% (-40...+158 °F ±2%)	-40...+70 °C ±2% (-40...+158 °F ±2%)
Relative humidity	0...95%	Max. 95%	Max. 95%
	No condensation allowed. Maximum allowed relative humidity is 60% in the presence of corrosive gases.		
Contamination levels (IEC 60721-3-3, IEC 60721-3-2, IEC 60721-3-1)	No conductive dust allowed.		
	<p>According to IEC 60721-3-3, chemical gases: Class 3C2 solid particles: Class 3S2.</p> <p>Install the drive according to the enclosure classification.</p> <p>Make sure that the cooling air is clean, and free from corrosive materials and electrically conductive dust.</p>	<p>According to IEC 60721-3-1, chemical gases: Class 1C2 solid particles: Class 1S2</p>	<p>According to IEC 60721-3-2, chemical gases: Class 2C2 solid particles: Class 2S2</p>

Pollution degree (IEC 60950-1)	Pollution degree 2	-	-
Sinusoidal vibration (IEC 60721-3-3)	Tested according to IEC 60721-3-3, mechanical conditions: Class 3M4 2...9 Hz, 3.0 mm (0.12 in) 9...200 Hz, 10 m/s ² (33 ft/s ²)	-	-
Shock (IEC 60068-2-27, ISTA 1A)	Not allowed	According to ISTA 1A. Max. 100 m/s ² (330 ft/s ²), 11 ms.	According to ISTA 1A. Max. 100 m/s ² (330 ft/s ²), 11 ms.
Free fall	Not allowed	76 cm (30 in)	76 cm (30 in)

Materials

Drive enclosure

- PC/ABS 2 mm, PC+10%GF 2.5...3 mm and PA66+25%GF 1.5 mm, all in color NCS 1502-Y (RAL 9002 / PMS 420 C)
- Hot-dip zinc coated steel sheet 1.5 mm, thickness of coating 20 micrometers
- Extruded aluminum AlSi

Package

Corrugated cardboard.

Disposal

The main parts of the drive can be recycled to preserve natural resources and energy. Product parts and materials should be dismantled and separated.

Generally all metals, such as steel, aluminum, copper and its alloys, and precious metals can be recycled as material. Plastics, rubber, cardboard and other packaging material can be used in energy recovery. Printed circuit boards and large electrolytic capacitors need selective treatment according to IEC 62635 guidelines. To aid recycling, plastic parts are marked with an appropriate identification code.

Please contact your local ABB distributor for further information on environmental aspects and recycling instructions for professional recyclers. End of life treatment must follow international and local regulations.

Applicable standards

	The drive complies with the following standards:
EN ISO 13849-1:2015	Safety of machinery – Safety related parts of the control systems – Part 1: general principles for design
EN ISO 13849-2:2012	Safety of machinery – Safety-related parts of the control systems – Part 2: Validation
EN 60204-1:2006 + A1:2009 + AC:2010	Safety of machinery. Electrical equipment of machines. Part 1: General requirements. <i>Provisions for compliance:</i> The final assembler of the machine is responsible for installing - an emergency-stop device - a supply disconnecting device
EN 62061:2005 + AC:2010 + A1:2013 + A2:2015	Safety of machinery – Functional safety of safety-related electrical, electronic and programmable electronic control systems
EN 61800-3:2004 + A1:2012 IEC 61800-3:2004 + A1:2011	Adjustable speed electrical power drive systems. Part 3: EMC requirements and specific test methods
IEC/EN 61800-5-1:2007	Adjustable speed electrical power drive systems – Part 5-1: Safety requirements – Electrical, thermal and energy
ANSI/UL 61800-5-1:2015	UL Standard for adjustable speed electrical power drive systems – Part 5-1: Safety requirements – Electrical, thermal and energy
CSA C22.2 No. 274-13	Adjustable speed drives

CE marking

A CE mark is attached to the drive to verify that the drive follows the provisions of the European Low Voltage, EMC, RoHS and WEEE Directives. The CE marking also verifies that the drive, in regard to its safety functions (such as Safe torque off), conforms with the Machinery Directive as a safety component.

■ Compliance with the European Low Voltage Directive

The compliance with the European Low Voltage Directive has been verified according to standard EN 61800-5-1:2007. Declaration is available on the Internet.

■ Compliance with the European EMC Directive

The EMC Directive defines the requirements for immunity and emissions of electrical equipment used within the European Union. The EMC product standard (EN 61800-3:2004 + A1:2012) covers requirements stated for drives. Refer to [Compliance with EN 61800-3:2004 + A1:2012](#) on page 112. The declaration is available on the Internet.

■ Compliance with the European RoHS Directive

The RoHS Directive defines the restriction of the use of certain hazardous substances in electrical and electronic equipment. The declaration is available on the Internet.

■ Compliance with the European WEEE Directive

The WEEE Directive defines the regulated disposal and recycling of electric and electrical equipment.

■ Compliance with the European Machinery Directive

The drive includes the Safe torque off function and can be equipped with other safety functions for machinery which, as safety components, are in the scope of the Machinery Directive. These functions of the drive comply with European harmonized standards such as EN 61800-5-2. Refer to [Safe torque off function](#) on page 137.



EU Declaration of Conformity

Machinery Directive 2006/42/EC

We

Manufacturer: ABB Oy
Address: Hiomotie 13, 00380 Helsinki, Finland.
Phone: +358 10 22 11

declare under our sole responsibility that the following product:

Frequency converter

ACS480-04

with regard to the safety function

Safe torque off

is in conformity with all the relevant safety component requirements of EU Machinery Directive 2006/42/EC, when the listed safety function is used for safety component functionality.

The following harmonized standards have been applied:

EN 61800-5-2:2007	<i>Adjustable speed electrical power drive systems – Part 5-2: Safety requirements - Functional</i>
EN 62061:2005 + AC:2010 + A1:2013 + A2:2015	<i>Safety of machinery – Functional safety of safety-related electrical, electronic and programmable electronic control systems</i>
EN ISO 13849-1:2015	<i>Safety of machinery – Safety-related parts of control systems. Part 1: General requirements</i>
EN ISO 13849-2:2012	<i>Safety of machinery – Safety-related parts of the control systems. Part 2: Validation</i>
EN 60204-1: 2006 + A1:2009 + AC:2010	<i>Safety of machinery – Electrical equipment of machines – Part 1: General requirements</i>

The following other standards have been applied:

IEC 61508:2010	Functional safety of electrical / electronic / programmable electronic safety-related systems
IEC 61800-5-2:2010	Adjustable speed electrical power drive systems – Part 5-2: Safety requirements - Functional

The product[s] referred in this Declaration of conformity fulfil[s] the relevant provisions of other European Union Directives which are notified in Single EU Declaration of conformity 3AXD10000594967.

Person authorized to compile the technical file:

Name and address: Risto Mynttinen, Hiomotie 13, 00380 Helsinki, Finland.

Helsinki, 9 Feb 2018

Manufacturer representative:

Vesa Kandell
Vice President, ABB

Compliance with EN 61800-3:2004 + A1:2012

■ Definitions

EMC stands for Electromagnetic Compatibility. It is the ability of electrical/electronic equipment to operate without problems within an electromagnetic environment. Likewise, the equipment must not disturb or interfere with any other product or system within its locality.

First environment includes establishments connected to a low-voltage network which supplies buildings used for domestic purposes.

Second environment includes establishments connected to a network not directly supplying domestic premises.

Drive of category C1: drive of rated voltage less than 1000 V and intended for use in the first environment.

Drive of category C2: drive of rated voltage less than 1000 V and intended to be installed and started up only by an authorised professional when used in the first environment.

Drive of category C3: drive of rated voltage less than 1000 V, intended for use in the second environment and not intended for use in the first environment.

■ Category C1

The conducted emission limits are complied with the following provisions:

1. The optional EMC filter is selected according to the ABB documentation and installed as specified in the EMC filter manual.
2. The motor and control cables are selected as specified in this manual.
3. The drive is installed according to the instructions given in this manual.
4. For the maximum motor cable length with 4 kHz switching frequency, refer to [Motor cable length](#) on page 103.

In a domestic environment, this product can cause radio-frequency interference, in which case supplementary mitigation measures may be required.

■ Category C2

Applicable to ACS480-04-xxxx-4/-1 with an internal EMC C2 filter.

The emission limits are complied with the following provisions:

1. The motor and control cables are selected as specified in this manual.
 2. The drive is installed according to the instructions given in this manual.
 3. For the maximum motor cable length with 4 kHz switching frequency, refer to [Motor cable length](#) on page 103.
-

If it is used in a residential or domestic environment, the drive can cause radio-frequency interference. If it is necessary, take measures to prevent interference, in addition to the requirements for the CE compliance.



WARNING! Do not install a drive with the internal EMC filter connected on IT (ungrounded). The supply network becomes connected to ground potential through the internal EMC filter capacitors which may cause danger or damage to the drive. To disconnect the EMC filter, refer to [EMC filter disconnection](#) on page 57.



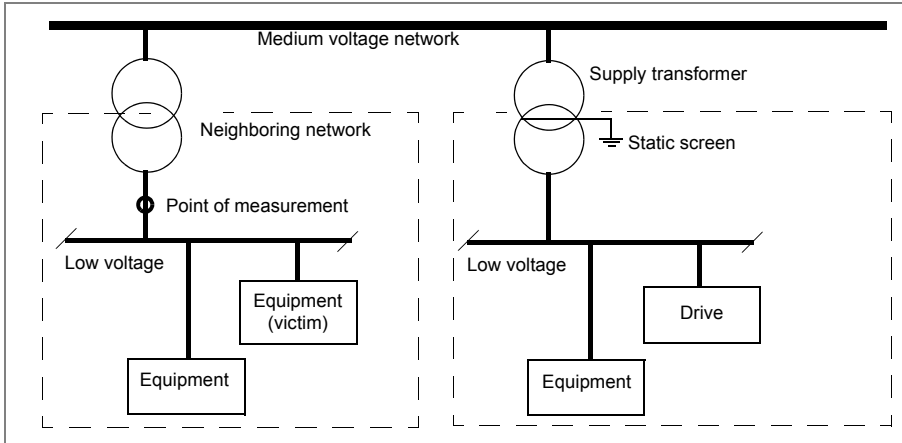
WARNING! Do not install a drive with internal EMC filter connected on corner-grounded TN systems; otherwise the drive will be damaged. To disconnect the EMC filter, refer to [EMC filter disconnection](#) on page 57.

■ Category C4

This is applicable to ACS480-04-xxxx-2 drives.

If the provisions in Category 2 or 3 are not met, the requirements of the standard can be met as follows:

1. It is ensured that no excessive emission is propagated to neighboring low-voltage networks. In some cases, the inherent suppression in transformers and cables is sufficient. If in doubt, the supply transformer with static screening between the primary and secondary windings can be used.



2. An EMC plan for preventing disturbances is drawn up for the installation. A template is available from the local ABB representative.
3. The motor and control cables are selected as specified in this manual.
4. The drive is installed according to the instructions given in this manual.



WARNING! To prevent radio-frequency interference, do not use a category C4 drive on a low-voltage public network which supplies domestic premises.

UL marking

If the drive type label has the UL marking, the drive has UL certification.

■ UL checklist

- Make sure that the drive type designation label includes the cULus Listed marking.
- **CAUTION - Risk of electric shock.** After disconnecting the input power, always wait for 5 minutes to let the intermediate circuit capacitors discharge before you start working on the drive, motor or motor cable.
- The drive is to be used in a heated, indoor controlled environment. The drive must be installed in clean air according to the enclosure classification. Cooling air must be clean, free from corrosive materials and electrically conductive dust.
- The maximum ambient air temperature is 50 °C (122 °F) at rated current.
- The drive is suitable for use in a circuit capable of delivering not more than 100,000 rms symmetrical amperes, 480 V (or 240 V) maximum when protected by UL-rated fuses. The ampere rating is based on tests done according to the appropriate UL standard.
- The cables located within the motor circuit must be rated for at least 75 °C (167 °F) in UL-compliant installations.
- Integral solid state short circuit protection does not provide branch circuit protection. The input cable must be protected with UL-rated fuses. The fuses provide branch circuit protection in accordance with the National Electrical Code (NEC) and Canadian Electrical Code. For installation in the United States, also obey any other applicable local codes. For installation in Canada, also obey any applicable provincial codes.
Note: Circuit breakers must not be used without fuses in the USA. Contact your local representative for suitable circuit breakers.
- The drive provides motor overload protection. For the adjustments, refer to the firmware manual.
- For drive overvoltage category, refer to page [106](#). For pollution degree, see page [107](#).

CSA marking

If the drive type label has the CSA marking, the drive has CSA certification.

RCM marking

If the drive type label has the RCM marking, the drive has RCM certification.

The RCM marking is required in Australia and New Zealand. The RCM mark is attached to the drive modules to verify compliance with the relevant standard (IEC

61800-3:2004), mandated by the Trans-Tasman Electromagnetic Compatibility Scheme.

For fulfilling the requirements of the standard, refer to [Compliance with EN 61800-3:2004 + A1:2012](#) on page 112.

EAC marking

If the drive type label has the EAC marking, the drive has EAC certification. The EAC marking is required in Russia, Belarus and Kazakhstan.



China RoHS marking

If the drive type label has the China RoHS marking, the drive has China RoHS certification. The *People's Republic of China Electronic Industry Standard* (SJ/T 11364-2014) specifies the marking requirements for hazardous substances in electronic and electrical products. The green mark is attached to the drive to verify that it does not contain toxic and hazardous substances or elements above the maximum concentration values, and that it is an environmentally-friendly product which can be recycled and reused.

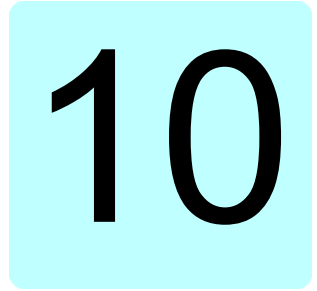
Disclaimers

■ Generic disclaimer

The manufacturer shall have no obligation hereunder with respect to any product which (i) has been improperly repaired or altered; (ii) has been subjected to misuse, negligence or accident; (iii) has been used in a manner contrary to the Manufacturer's instructions; or (iv) has failed as a result of ordinary wear and tear.

■ Cyber security disclaimer

This product is designed to be connected to and to communicate information and data via a network interface. It is Customer's sole responsibility to provide and continuously ensure a secure connection between the product and Customer network or any other network (as the case may be). Customer shall establish and maintain any appropriate measures (such as but not limited to the installation of firewalls, application of authentication measures, encryption of data, installation of anti-virus programs, etc) to protect the product, the network, its system and the interface against any kind of security breaches, unauthorized access, interference, intrusion, leakage and/or theft of data or information. ABB and its affiliates are not liable for damages and/or losses related to such security breaches, any unauthorized access, interference, intrusion, leakage and/or theft of data or information.

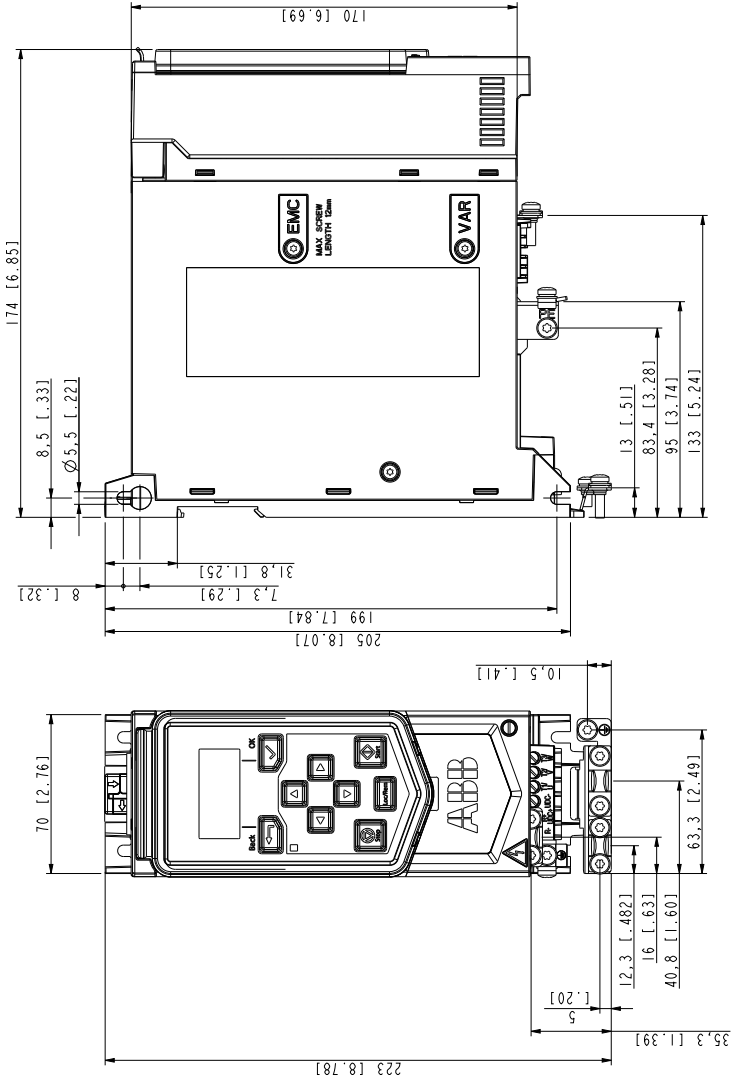


Dimension drawings

The dimension drawings of the ACS480 drive in frame sizes R0, R1, R2, R3 and R4. The dimensions are in millimeters and inches.

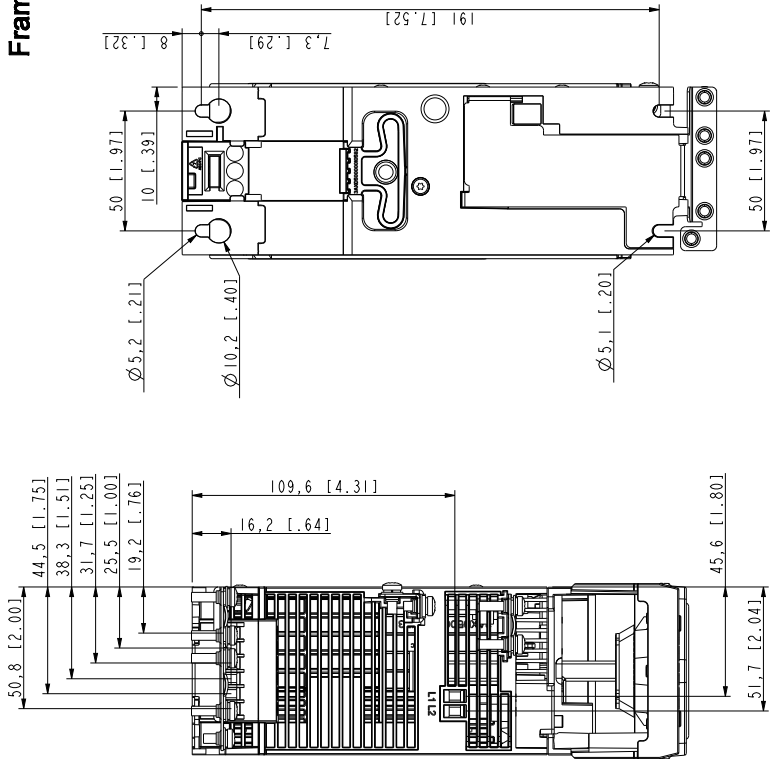
Frame R0 (230 V) (front & side)

Frame R0, IP20



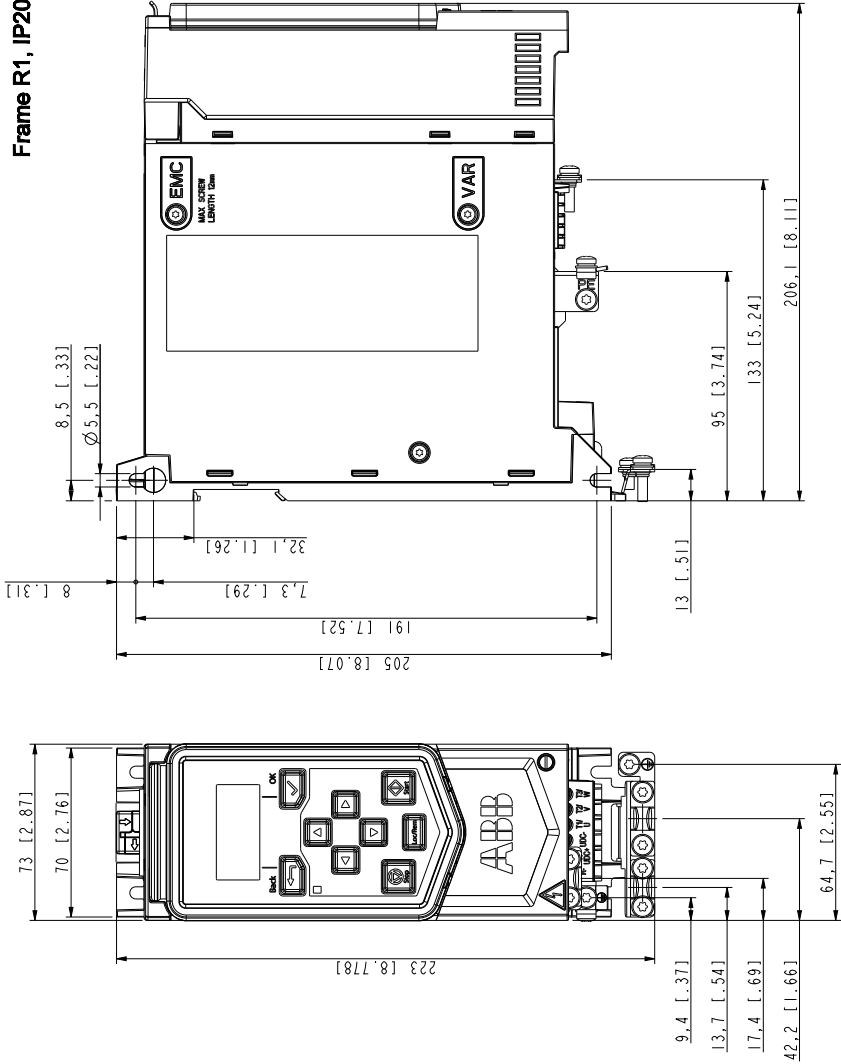
Frame R0 (230 V) (bottom & rear)

Frame R0, IP20



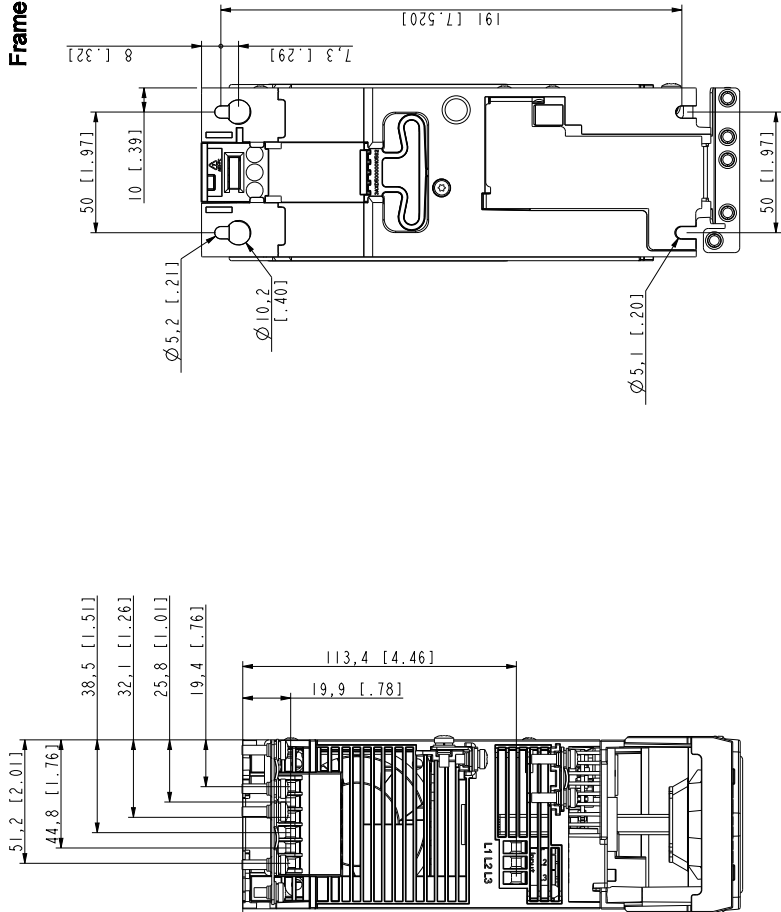
Frame R1 (400 V) (front & side)

Frame R1, IP20



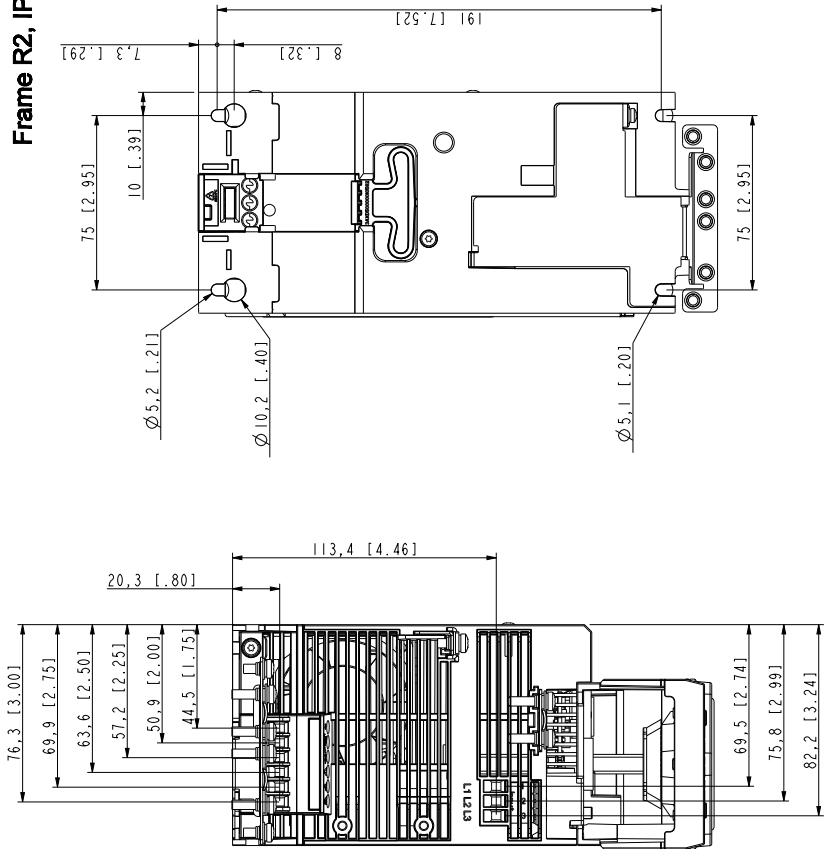
Frame R1 (400 V) (bottom & rear)

Frame R1, IP20

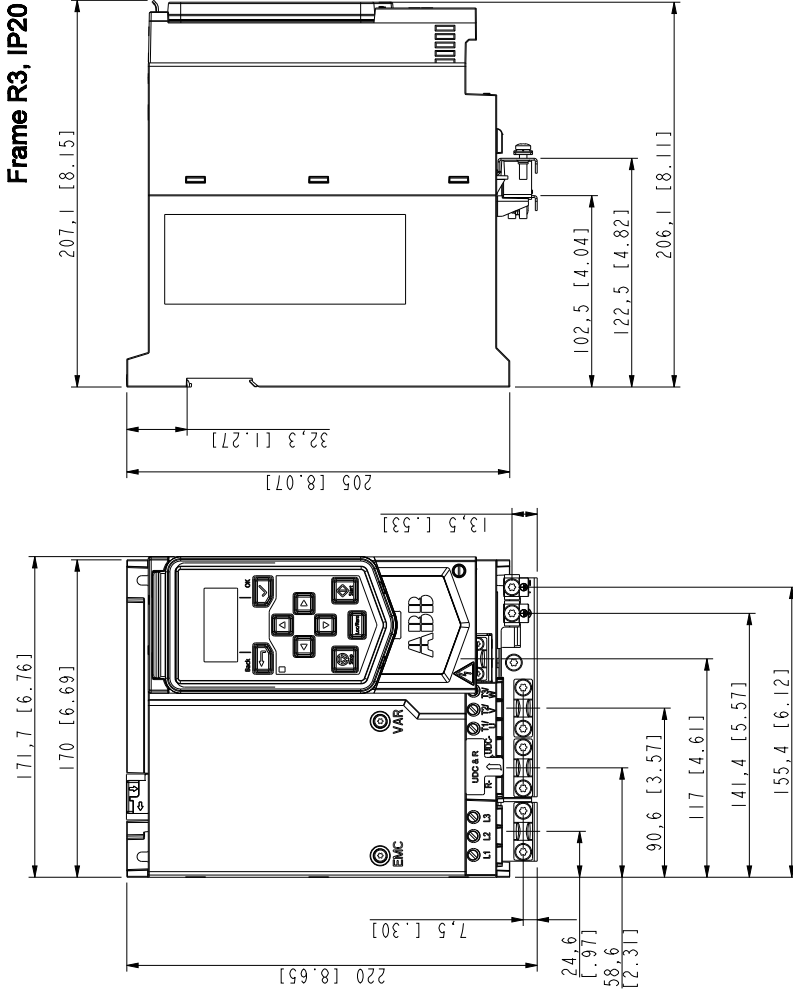


Frame R2 (400 V) (bottom & rear)

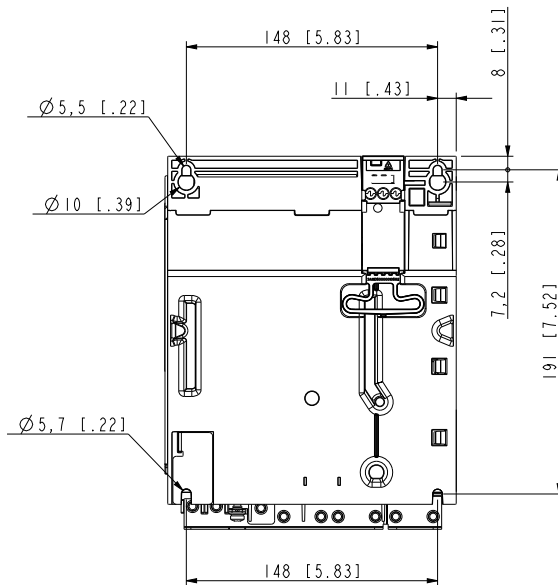
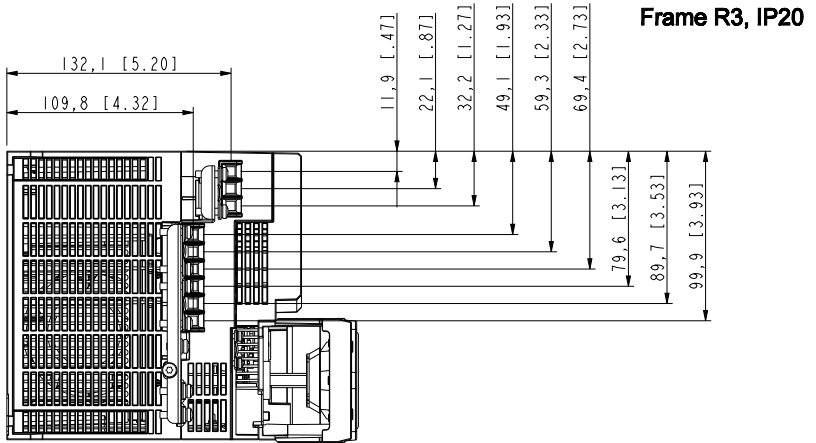
Frame R2, IP20



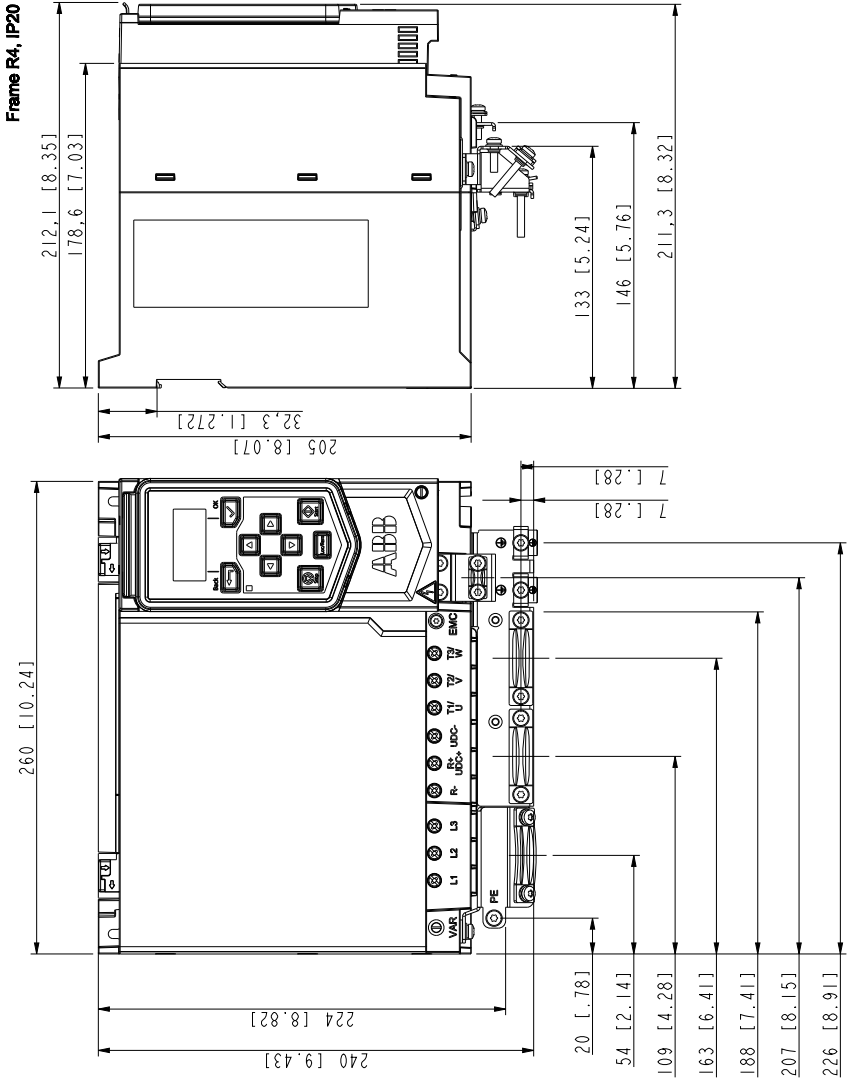
Frame R3 (front & side)



Frame R3 (bottom & rear)

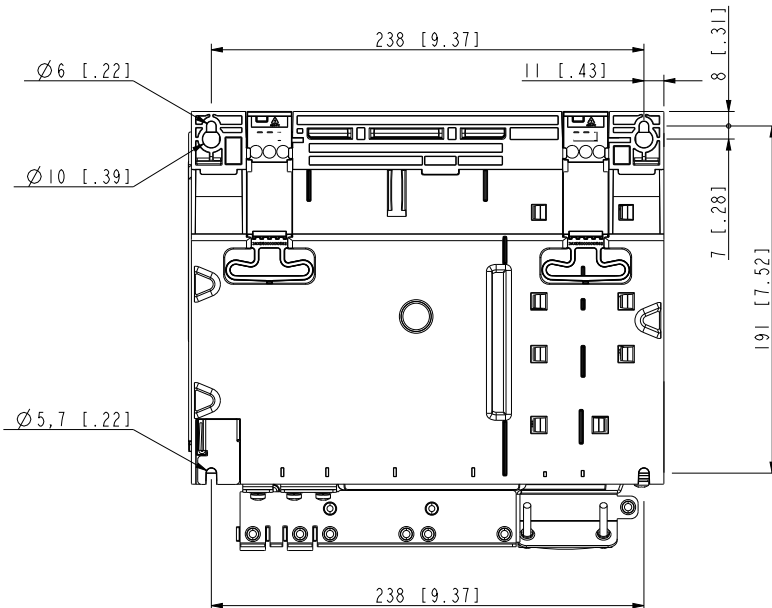
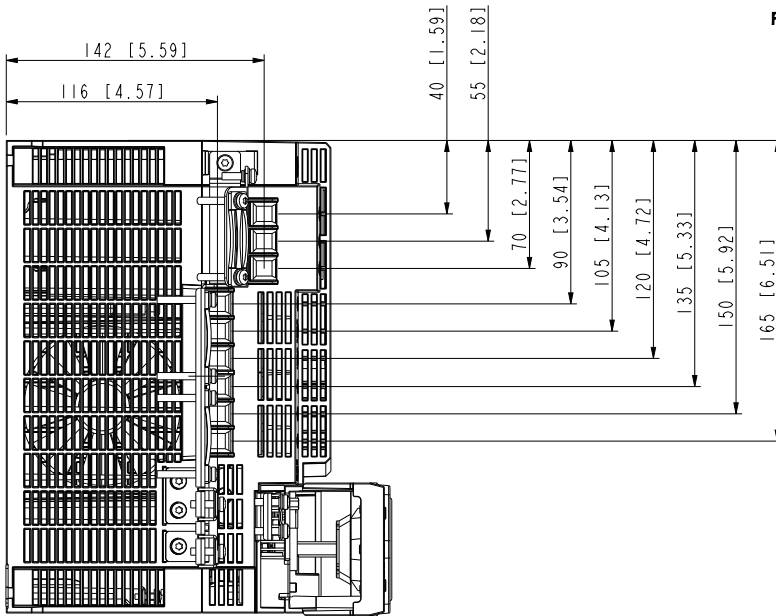


Frame R4 (front & side)



Frame R4 ()

Frame R4, IP20





11

Resistor braking

Contents of this chapter

The chapter describes how to select the brake resistor and cables, protect the system, connect the brake resistor and enable resistor braking.

Operation principle and hardware description

The brake chopper handles the energy generated by a decelerating motor. The chopper connects the brake resistor to the intermediate DC circuit whenever the voltage in the circuit exceeds the limit defined by the control program. Energy consumption by the resistor losses lowers the voltage until the resistor can be disconnected.

Selecting the brake resistor

Drives have in built-in brake chopper as standard equipment. The brake resistor is selected using the table and equations presented in this section.

1. Determine the required maximum braking power P_{Rmax} for the application. P_{Rmax} must be smaller than P_{BRmax} given in the table on page 131 for the used drive type.
 2. Calculate resistance R with Equation 1.
 3. Calculate energy E_{Rpulse} with Equation 2.
 4. Select the resistor so that the following conditions are met:
 - The rated power of the resistor must be greater than or equal to P_{Rmax} .
 - Resistance R must be between R_{min} and R_{max} given in the table for the used drive type.
 - The resistor must be able to dissipate energy E_{Rpulse} during the braking cycle T .
-

Equations for selecting the resistor:

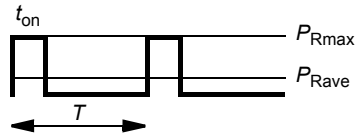
$$\text{Eq. 1. } U_N = 200 \dots 240 \text{ V: } R = \frac{150000}{P_{R\max}}$$

$$U_N = 380 \dots 415 \text{ V: } R = \frac{450000}{P_{R\max}}$$

$$U_N = 415 \dots 480 \text{ V: } R = \frac{615000}{P_{R\max}}$$

$$\text{Eq. 2. } E_{R\text{pulse}} = P_{R\max} \cdot t_{\text{on}}$$

$$\text{Eq. 3. } P_{R\text{ave}} = P_{R\max} \cdot \frac{t_{\text{on}}}{T}$$



For conversion, use 1 hp = 746 W.

where

R = calculated brake resistor value (ohm). Make sure that: $R_{\min} < R < R_{\max}$.

$P_{R\max}$ = maximum power during the braking cycle (W)

$P_{R\text{ave}}$ = average power during the braking cycle (W)

$E_{R\text{pulse}}$ = energy conducted into the resistor during a single braking pulse (J)

t_{on} = length of the braking pulse (s)

T = length of the braking cycle (s).



WARNING! Do not use a brake resistor with a resistance below the minimum value specified for the particular drive. The drive and the internal chopper are not able to handle the overcurrent caused by the low resistance.

Reference brake resistors

Type ACS480- 04-	R_{\min}	R_{\max}	P_{BRcont}		P_{BRmax}		Example resistor types	Braking time ⁽¹⁾
	ohm	ohm	kW	hp	kW	hp		
1-phase $U_N = 200...240$ V								
02A4-1	32.5	468	0.25	0.33	0.38	0.50	CBH 360 C T 406 210R or CAR 200 D T 406 210R	Refer to braking resistor manufacturer's documentation
03A7-1	32.5	316	0.37	0.50	0.56	0.74		
04A8-1	32.5	213	0.55	0.75	0.83	1.10		
06A9-1	32.5	145	0.75	1.00	1.10	1.50	CBR-V 330 D T 406 78R UL	
07A8-1	32.5	96.5	1.10	1.50	1.70	2.20	CBR-V 560 D HT 406 39R UL	
09A8-1	32.5	69.9	1.50	2.00	2.30	3.00		
12A2-1	19.5	47.1	2.20	3.00	3.30	4.40		
3-phase $U_N = 200...240$ V								
02A4-2	39	474	0.25	0.33	0.38	0.50	CBH 360 C T 406 210R or CAR 200 D T 406 210R	Refer to braking resistor manufacturer's documentation
03A7-2	39	319	0.37	0.50	0.56	0.74		
04A8-2	39	217	0.55	0.75	0.83	1.10		
06A9-2	39	145	0.75	1.00	1.13	1.50	CBR-V 330 D T 406 78R UL	
07A8-2	39	105	1.10	1.50	1.65	2.20	CBR-V 560 D HT 406 39R UL	
09A8-2	20	71	1.50	2.00	2.25	3.00		
12A2-2	20	52	2.20	2.00	3.30	4.40		
17A5-2	16	38	3.00	3.00	4.50	6.00	CBT-H 560 D HT 406 19R	
25A0-2	16	28	4.00	5.00	6.00	8.00	CBT-V 760 G H T 282 8R	
032A-2	3	20	5.50	7.50	8.25	11.00		
048A-2	3	14	7.50	10.00	11.25	15.00		
055A-2	3	10	11.00	15.00	16.50	21.99		
3-phase $U_N = 380...480$ V								
01A8-4	99	933	0.37	0.50	0.56	0.74	CBH 360 C T 406 210R or CAR 200 D T 406 210R	Refer to braking resistor manufacturer's documentation
02A7-4	99	628	0.55	0.75	0.83	1.10		
03A4-4	99	428	0.75	1.00	1.13	1.50		
04A1-4	99	285	1.10	1.50	1.65	2.20		
05A7-4	99	206	1.50	2.00	2.25	3.00	CBR-V 330 D T 406 78R UL	
07A3-4	53	139	2.20	2.00	3.30	4.40		
09A5-4	53	102	3.00	3.00	4.50	6.00		
12A7-4	32	76	4.00	5.00	6.00	8.00	CBR-V 560 D HT 406 39R UL	
018A-4	32	54	5.50	7.50	8.25	11.00		
026A-4	23	39	7.50	10.00	11.25	15.00	CBT-H 560 D HT 406 19R	
033A-4	6	29	11.00	15.00	17	22.00		
039A-4	6	24	15.00	20.00	23	30.00	CBT-H 760 D HT 406 16R	
046A-4	6	20	18.50	25.00	28	37.00	CBT-H 760 D HT 406 16R	
050A-4	6	20	22.00	30.00	33	44.00		

3AXD10000299801.xls

1) The maximum permitted braking cycle of the braking resistor differs from the that of the drive.

P_{BRmax} – The maximum braking capacity of the drive 1/10min ($P_{BRcont} * 150\%$), must exceed the desired braking power.

P_{BRcont} – The maximum braking capacity of the drive, must exceed the desired braking power.

R_{max} – The maximum resistance value that can provide P_{BRcont} . The resistance of the brake resistor can be smaller if the application allows it.

Selecting and routing the brake resistor cables

Use a shielded cable specified in section [Terminal data for the power cables](#) on page 99.

■ Minimizing electromagnetic interference

Follow these rules in order to minimize electromagnetic interference caused by the rapid current changes in the resistor cables:

- Install the cables away from other cable routes.
- Avoid long parallel runs with other cables. The minimum parallel cabling separation distance should be 0.3 meters.
- Cross the other cables at right angles.
- Keep the cable as short as possible in order to minimize the radiated emissions and stress on chopper IGBTs. The longer the cable the higher the radiated emissions, inductive load and voltage peaks over the IGBT semiconductors of the brake chopper.

■ Maximum cable length

The maximum length of the resistor cable(s) is 10 m (33 ft).

■ EMC compliance of the complete installation

ABB has not verified that the EMC requirements are fulfilled with external user-defined brake resistors and cabling. The EMC compliance of the complete installation must be considered by the customer.

Placing the brake resistor

Install the resistors outside the drive in a place where they will cool.

Arrange the cooling of the resistor in a way that:

- There is no danger of overheating to the resistor or nearby materials.
- The surrounding air temperature does not exceed the allowed maximum.

Supply the resistor with cooling air/water according to the resistor manufacturer's instructions.



WARNING! The materials near the brake resistor must be non-flammable. The surface temperature of the resistor is high. Air flowing from the resistor is of hundreds of degrees Celsius. If the exhaust vents are connected to a ventilation system, ensure that the material withstands high temperatures. Protect the resistor against physical contact.

Protecting the system in brake circuit fault situations

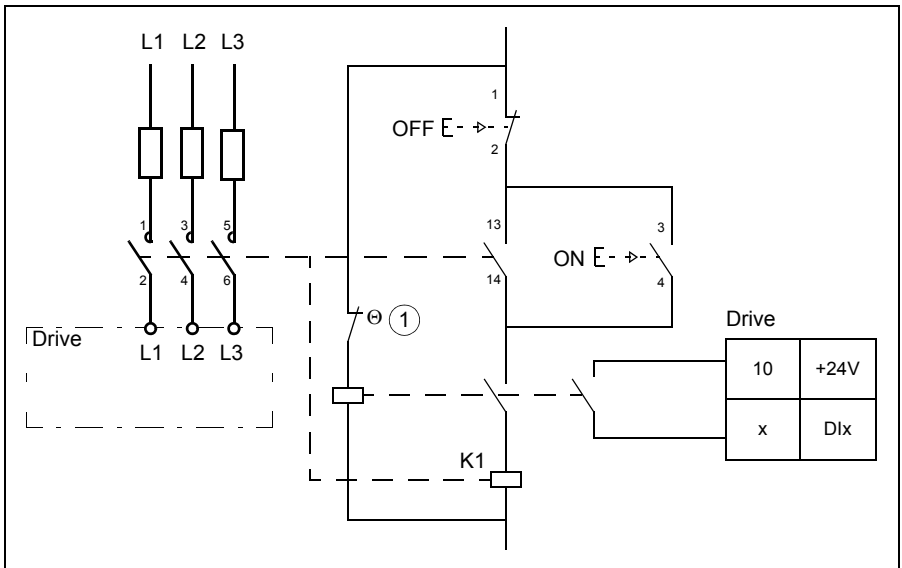
■ Protecting the system in cable and brake resistor short-circuit situations

The input fuses will also protect the resistor cable when it is identical with the input cable.

■ Protecting the system against thermal overload

Equipping the drive with a main contactor is highly recommended for safety reasons. Wire the contactor so that it opens in case the resistor overheats. This is essential for safety since the drive will not otherwise be able to interrupt the main supply if the chopper remains conductive in a fault situation. An example wiring diagram is shown below. We recommend that you use resistors equipped with a thermal switch (1) inside the resistor assembly. The switch indicates overtemperature and overload.

We recommend that you also wire the thermal switch to a digital input of the drive.



Mechanical installation

Refer to the resistor manufacturer's instructions.

Electrical installation

■ Checking the insulation of the assembly

Follow the instructions given in section [Brake resistor assembly](#) on page [Brake resistor assembly](#).

■ Connection diagram

See section [Connecting the power cables](#) on page [59](#).

■ Connection procedure

See section [Connecting the power cables](#) on page [59](#).

Connect the thermal switch of the brake resistor as described in section [Protecting the system against thermal overload](#) on page [133](#).

Start-up

Set the following parameters:

1. Disable the overvoltage control of the drive with parameter 30.30 Overvoltage control.
2. Set the source of parameter 31.01 External event 1 source to point to the digital input where the thermal switch of the brake resistor is wired.
3. Set parameter 31.02 External event 1 type to Fault.
4. Enable the brake chopper by parameter 43.06 Brake chopper enable. If Enabled with thermal model is selected, set also the brake resistor overload protection parameters 43.08 and 43.09 according to the application.
5. Check the resistance value of parameter 43.10 Brake resistance.

With these parameter settings, the drive generates a fault and coasts to a stop on brake resistor overtemperature.



WARNING! Disconnect the braking resistor, if it not enabled in the parameter settings.

12

Safe torque off function

Contents of this chapter

This chapter describes the Safe torque off (STO) function of the drive and gives instructions for its use.

Description

The Safe torque off function can be used, for example, as the final actuator device of safety circuits that stop the inverter in case of danger (such as an emergency stop circuit). Another typical application is a prevention of unexpected start-up function that enables short-time maintenance operations like cleaning or work on non-electrical parts of the machinery without switching off the power supply to the inverter.

Note: The Safe torque off function does not disconnect the voltage from the drive, see the warning on page [144](#).

When activated, the Safe torque off function disables the control voltage of the power semiconductors of the drive output stage (A, see diagram on page [140](#)), thus preventing the drive from generating the torque required to rotate the motor. If the motor is running when Safe torque off is activated, it coasts to a stop.

The Safe torque off function has a redundant architecture, that is, both channels must be used in the safety function implementation. The safety data given in this manual is calculated for redundant use, and does not apply if both channels are not used.

The Safe torque off function of the drive complies with these standards:

Standard	Name
IEC 60204-1:2016 EN 60204-1:2006 + A1:2009 + AC:2010	<i>Safety of machinery – Electrical equipment of machines – Part 1: General requirements</i>
IEC 61000-6-7:2014	<i>Electromagnetic compatibility (EMC) – Part 6-7: Generic standards – Immunity requirements for equipment intended to perform functions in a safety-related system (functional safety) in industrial locations</i>
IEC/EN 61326-3-1:2017	<i>Electrical equipment for measurement, control and laboratory use – EMC requirements – Part 3-1: Immunity requirements for safety-related systems and for equipment intended to perform safety-related functions (functional safety) – General industrial applications</i>
IEC 61508-1:2010	<i>Functional safety of electrical/electronic/programmable electronic safety-related systems – Part 1: General requirements</i>
IEC 61508-2:2010	<i>Functional safety of electrical/electronic/programmable electronic safety-related systems – Part 2: Requirements for electrical/electronic/programmable electronic safety-related systems</i>
IEC 61511-1:2016	<i>Functional safety – Safety instrumented systems for the process industry sector</i>
IEC 61800-5-2:2016 EN 61800-5-2:2007	<i>Adjustable speed electrical power drive systems – Part 5-2: Safety requirements – Functional</i>
IEC 62061:2015 EN 62061:2005 + AC:2010 + A1:2013 + A2:2015	<i>Safety of machinery – Functional safety of safety-related electrical, electronic and programmable electronic control systems</i>
EN ISO 13849-1:2015	<i>Safety of machinery – Safety-related parts of control systems – Part 1: General principles for design</i>
EN ISO 13849-2:2012	<i>Safety of machinery – Safety-related parts of control systems – Part 2: Validation</i>

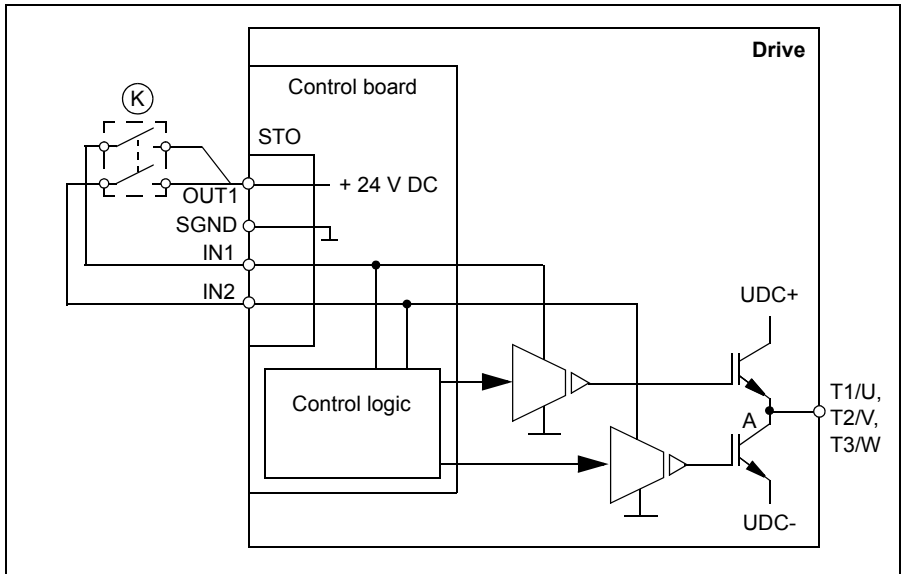
The function also corresponds to Prevention of unexpected start-up as specified by EN 1037:1995 + A1:2008 and Uncontrolled stop (stop category 0) as specified in EN 60204-1:2006 + A1:2009 + AC:2010.

■ Compliance with the European Machinery Directive

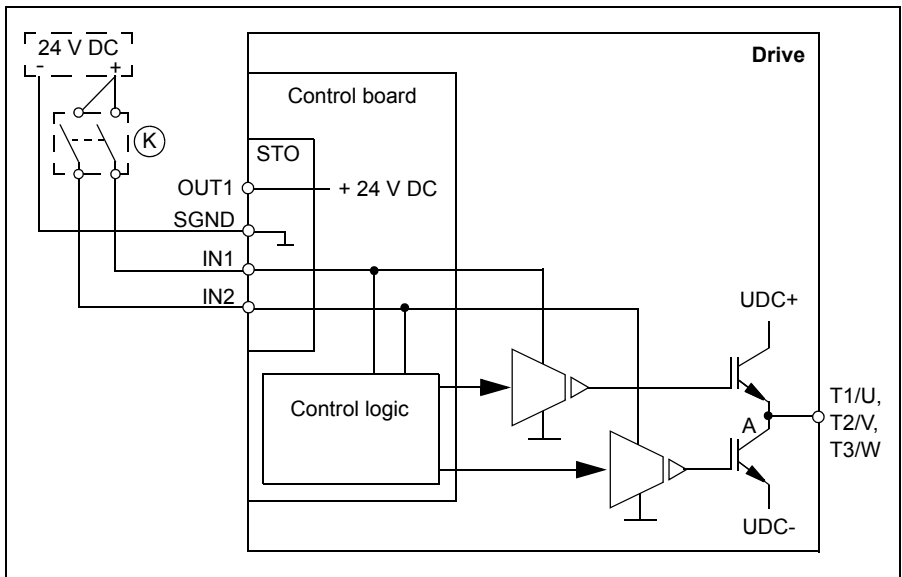
See section [Compliance with the European Machinery Directive](#) on page 111.

Connection principle

■ Connection with internal +24 V DC power supply

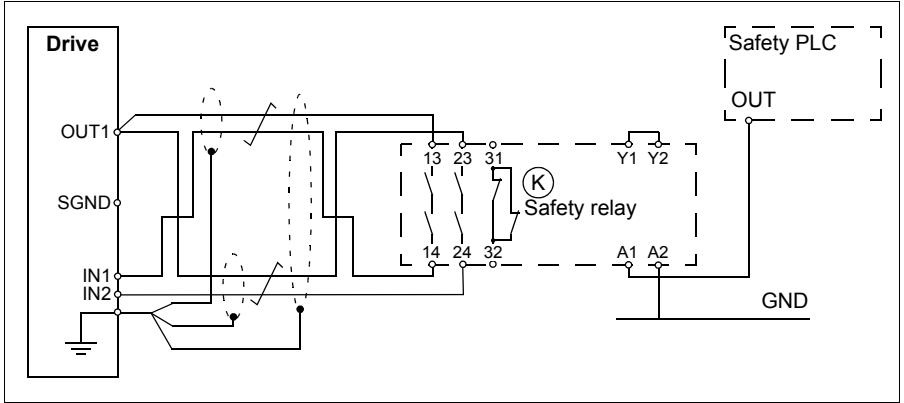


■ Connection with external +24 V DC power supply

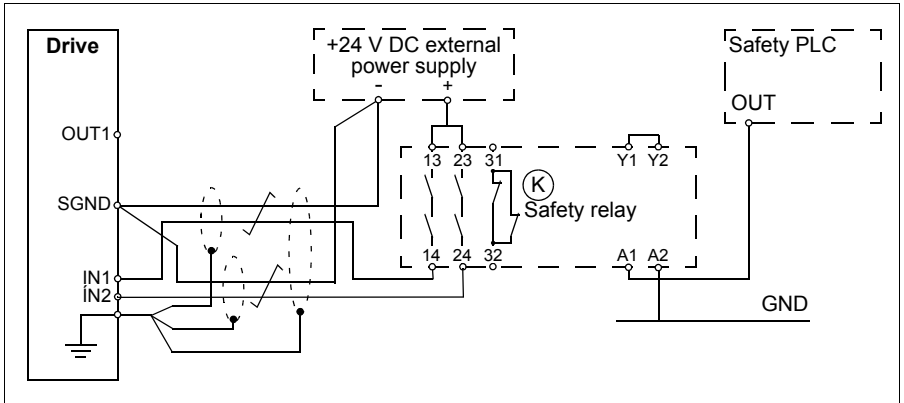


Wiring examples

An example of a Safe torque off wiring with internal +24 V DC power supply is shown below.



An example of a Safe torque off wiring with external +24 V DC power supply is shown below.



■ Activation switch

In the wiring diagram above (page 140), the activation switch has the designation (K). This represents a component such as a manually operated switch, an emergency stop push button switch, or the contacts of a safety relay or safety PLC.

- If a manually operated activation switch is used, the switch must be of a type that can be locked out to the open position.
- Inputs IN1 and IN2 must open/close within 200 ms of each other.

■ Cable types and lengths

- Double-shielded twisted-pair cable is recommended.
- Maximum cable length 100 m (328 ft) between activation switch (K) and drive control unit.

Note: A short-circuit in the wiring between the switch and an STO terminal causes a dangerous fault and therefore it is recommended to use a safety relay (including wiring diagnostics), or a wiring method (shield grounding, channel separation) which reduces or eliminates the risk caused by the short-circuit.

Note: The voltage at the INx terminals of each drive must be at least 13 V DC to be interpreted as “1”. Pulse tolerance of input channels is 1 ms.

■ Grounding of protective shields

- Ground the shield in the cabling between the activation switch and the control board at the control board.
- Ground the shield in the cabling between two control boards at one control board only.

Operation principle

1. The Safe torque off activates (the activation switch is opened, or safety relay contacts open).
2. The STO inputs IN1 and IN2 on the drive control board de-energize.
3. The STO cuts off the control voltage from the output IGBTs.
4. The control program generates an indication as defined by parameter *31.22 STO indication run/stop*.

The parameter selects which indications are given when one or both Safe torque off (STO) signals are switched off or lost. The indications also depend on whether the drive is running or stopped when this occurs.

Note: This parameter does not affect the operation of the STO function itself. The STO function will operate regardless of the setting of this parameter: a running drive will stop upon removal of one or both STO signals, and will not start until both STO signals are restored and all faults reset.

Note: The loss of only one STO signal always generates a fault as it is interpreted as a malfunction of STO hardware or wiring.

5. The motor coasts to a stop (if running). The drive cannot restart while the activation switch or safety relay contacts are open. After the contacts close, a reset may be needed (depending on the setting of parameter *31.22*). A new start command is required to start the drive.
-

Start-up including acceptance test

To ensure the safe operation of a safety function, validation is required. The final assembler of the machine must validate the function by performing an acceptance test. The acceptance test must be performed

- at initial start-up of the safety function
- after any changes related to the safety function (circuit boards, wiring, components, settings, etc.)
- after any maintenance work related to the safety function.

■ Competence


The acceptance test of the safety function must be carried out by a competent person with adequate expertise and knowledge of the safety function as well as functional safety, as required by IEC 61508-1 clause 6. The test procedures and report must be documented and signed by this person.

■ Acceptance test reports

Signed acceptance test reports must be stored in the logbook of the machine. The report shall include documentation of start-up activities and test results, references to failure reports and resolution of failures. Any new acceptance tests performed due to changes or maintenance shall be logged into the logbook.

■ Acceptance test procedure

After wiring the Safe torque off function, validate its operation as follows.

Action	<input checked="" type="checkbox"/>
 WARNING! Follow the Safety instructions (page 11). If you ignore them, injury or death, or damage to the equipment can occur.	<input type="checkbox"/>
Ensure that the drive can be run and stopped freely during start-up.	<input type="checkbox"/>
Stop the drive (if running), switch the input power off and isolate the drive from the power line by a disconnecter.	<input type="checkbox"/>
Check the Safe torque off circuit connections against the wiring diagram.	<input type="checkbox"/>
Close the disconnecter and switch the power on.	<input type="checkbox"/>
<p>Test the operation of the STO function when the motor is stopped.</p> <ul style="list-style-type: none"> • Give a stop command for the drive (if running) and wait until the motor shaft is at a standstill. <p>Ensure that the drive operates as follows:</p> <ul style="list-style-type: none"> • Open the STO circuit. The drive generates an indication if one is defined for the 'stopped' state in parameter 31.22 <i>STO indication run/stop</i> (see the firmware manual). • Give a start command to verify that the STO function blocks the drive's operation. The drive displays a warning. The motor should not start. • Close the STO circuit. • Reset any active faults. Restart the drive and check that the motor runs normally. 	<input type="checkbox"/>
<p>Test the operation of the STO function when the motor is running.</p> <ul style="list-style-type: none"> • Start the drive and ensure the motor is running. • Open the STO circuit. The motor should stop. The drive generates an indication if one is defined for the 'running' state in parameter 31.22 <i>STO indication run/stop</i> (see the firmware manual). • Reset any active faults and try to start the drive. • Ensure that the motor stays at a standstill and the drive operates as described above in testing the operation when the motor is stopped. • Close the STO circuit. • Reset any active faults. Restart the drive and check that the motor runs normally. 	<input type="checkbox"/>

Action	<input checked="" type="checkbox"/>
<p>Test the operation of the failure detection of the drive. The motor can be stopped or running.</p> <ul style="list-style-type: none"> • Open the 1st channel of the STO circuit (wire coming to IN1). If the motor was running, it should coast to a stop. The drive generates a <i>FA81 Safe torque off 1 loss</i> fault indication (see the firmware manual). • Give a start command to verify that the STO function blocks the inverter's operation. The motor should not start. • Close the STO circuit. • Reset any active faults. Restart the drive and check that the motor runs normally. • Open the 2nd channel of the STO circuit (wire coming to IN2). If the motor was running, it should coast to a stop. The drive generates a <i>FA82 Safe torque off 2 loss</i> fault indication (see the firmware manual). • Give a start command to verify that the STO function blocks the drive's operation. The motor should not start. • Close the STO circuit. • Reset any active faults. Restart the drive and check that the motor runs normally. 	<input type="checkbox"/>
<p>Document and sign the acceptance test report which verifies that the safety function is safe and accepted for operation.</p>	<input type="checkbox"/>

Use

1. Open the activation switch, or activate the safety functionality that is wired to the STO connection.
2. The STO inputs of the drive control unit de-energize, and the drive control unit cuts off the control voltage from the drive IGBTs.
3. The control program generates an indication as defined by parameter *31.22 STO indication run/stop*.
4. The motor coasts to a stop (if running). The drive will not restart while the activation switch or safety relay contacts are open.
5. Deactivate the STO by closing the activation switch, or resetting the safety functionality that is wired to the STO connection.
6. Reset any faults before restarting.



WARNING! The Safe torque off function does not disconnect the voltage of the main and auxiliary circuits from the drive. Therefore maintenance work on electrical parts of the drive or the motor can only be carried out after isolating the drive from the main supply.



WARNING! (With permanent magnet motors or synchronous reluctance motors [SynRM] only) In case of a multiple IGBT power semiconductor failure, the drive system can produce an alignment torque which maximally rotates the motor shaft by $180/p$ degrees regardless of the activation of the Safe torque off function. p denotes the number of pole pairs.

Notes:

- If a running drive is stopped by using the Safe torque off function, the drive will cut off the motor supply voltage and the motor will coast to a stop. If this causes danger or is not otherwise acceptable, stop the drive and machinery using the appropriate stop mode before activating the Safe torque off function.
 - The Safe torque off function overrides all other functions of the drive unit.
 - The Safe torque off function is ineffective against deliberate sabotage or misuse.
 - The Safe torque off function has been designed to reduce the recognized hazardous conditions. In spite of this, it is not always possible to eliminate all potential hazards. The assembler of the machine must inform the final user about the residual risks.
 - The Safe torque off diagnostics are not available during power outages, or when the drive is only powered by the +24 V power extension module BAPO-01.
-

Maintenance

After the operation of the circuit is validated at start-up, the STO function shall be maintained by periodic proof testing. In high demand mode of operation, the maximum proof test interval is 20 years. In low demand mode of operation, the maximum proof test interval is 5 or 2 years; see section [Safety data](#) (page 148). It is assumed that all dangerous failures of the STO circuit are detected by the proof test. To perform the proof test, do the [Acceptance test procedure](#) (page 143).

Note: See also the Recommendation of Use CNB/M/11.050 (published by the European co-ordination of Notified Bodies) concerning dual-channel safety-related systems with electromechanical outputs:

- When the safety integrity requirement for the safety function is SIL 3 or PL e (cat. 3 or 4), the proof test for the function must be performed at least every month.
- When the safety integrity requirement for the safety function is SIL 2 (HFT = 1) or PL d (cat. 3), the proof test for the function must be performed at least every 12 months.

The STO function does not contain any electromechanical components.

In addition to proof testing, it is a good practice to check the operation of the function when other maintenance procedures are carried out on the machinery.

Include the Safe torque off operation test described above in the routine maintenance program of the machinery that the drive runs.

If any wiring or component change is needed after start up, or the parameters are restored, follow the test given in section [Acceptance test procedure](#) (page 143).

Use only ABB approved spare parts.

Record all maintenance and proof test activities in the machine logbook.

■ Competence

The maintenance and proof test activities of the safety function must be carried out by a competent person with adequate expertise and knowledge of the safety function as well as functional safety, as required by IEC 61508-1 clause 6.

Fault tracing

The indications given during the normal operation of the Safe torque off function are selected by parameter *31.22 STO indication run/stop*.

The diagnostics of the Safe torque off function cross-compare the status of the two STO channels. In case the channels are not in the same state, a fault reaction function is performed and the drive trips on an “STO hardware failure” fault. An attempt to use the STO in a non-redundant manner, for example activating only one channel, will trigger the same reaction.

See the drive firmware manual for the indications generated by the drive, and for details on directing fault and warning indications to an output on the control unit for external diagnostics.

Any failures of the Safe torque off function must be reported to ABB.

Safety data

The safety data for the Safe torque off function is given below.

Note: The safety data is calculated for redundant use, and does not apply if both STO channels are not used.

Frame size	SIL/SILCL	PL	SFF [%]	PFH [1/h]	PFD _{avg} [T ₁ =2a]	PFD _{avg} [T ₁ =5a]	MTTF _D ⁽¹⁾ [a]	DC ⁽²⁾ [%]	Cat.	SC	HFT	CCF	Lifetime [a]
1-phase U _N = 200...240 V													
R0	3	e	>90	8.91E-9	7.40E-5	1.85E-4	2243	≥90	3	3	1	80	20
R1	3	e	>90	8.91E-9	7.40E-5	1.85E-4	2242	≥90	3	3	1	80	20
R2	3	e	>90	8.91E-9	7.40E-5	1.85E-4	2243	≥90	3	3	1	80	20
3-phase U _N = 200...240 V													
R1	3	e	>99	8.00E-9	6.68E-5	1.67E-4	2568	≥90	3	3	1	80	20
R2	3	e	>99	8.00E-9	6.68E-5	1.67E-4	2568	≥90	3	3	1	80	20
R3	3	e	>99	8.00E-9	6.68E-5	1.67E-4	2569	≥90	3	3	1	80	20
R4	3	e	>99	8.00E-9	6.68E-5	1.67E-4	2568	≥90	3	3	1	80	20
3-phase U _N = 380...480 V													
R0	3	e	>90	8.00E-9	6.68E-5	1.67E-4	2569	≥90	3	3	1	80	20
R1	3	e	>90	8.00E-9	6.68E-5	1.67E-4	2568	≥90	3	3	1	80	20
R2	3	e	>90	8.00E-9	6.68E-5	1.67E-4	2568	≥90	3	3	1	80	20
R3	3	e	>90	8.00E-9	6.68E-5	1.67E-4	2569	≥90	3	3	1	80	20
R4	3	e	>99	8.00E-9	6.68E-5	1.67E-4	2568	≥90	3	3	1	80	20

3AXD10000320081, Rev. C

1) Use 100 years to calculate a safety loop.

2) According to EN ISO 13849-1 table E.1

- The following temperature profile is used in safety value calculations:
 - 670 on/off cycles per year with $\Delta T = 71.66 \text{ }^\circ\text{C}$ (161 °F)
 - 1340 on/off cycles per year with $\Delta T = 61.66 \text{ }^\circ\text{C}$ (143 °F)
 - 30 on/off cycles per year with $\Delta T = 10.0 \text{ }^\circ\text{C}$ (50 °F)
 - 32 °C (90 °F) board temperature at 2.0% of time
 - 60 °C (140 °F) board temperature at 1.5% of time
 - 85 °C (185 °F) board temperature at 2.3% of time
- The STO is a type A safety component as defined in IEC 61508-2.
- Relevant failure modes:
 - The STO trips spuriously (safe failure)
 - The STO does not activate when requested

A fault exclusion on the failure mode “short circuit on printed circuit board” has been made (EN ISO 13849-2, table D.5). The analysis is based on an assumption that one failure occurs at one time. No accumulated failures have been analyzed.

- STO reaction time (shortest detectable break): 1 ms
 - STO response time: 5 ms (typical), 10 ms (maximum)
 - Fault detection time: Channels in different states for longer than 200 ms
 - Fault reaction time: Fault detection time +10 ms
 - STO fault indication (parameter 31.22) delay: <500 ms
 - STO warning indication (parameter 31.22) delay: <1000 ms
 - Maximum cable length 100 m (328 ft) between activation switch (K) and drive control unit.
 - The voltage at the INx terminals of each drive must be at least 13 V DC to be interpreted as “1”. Pulse tolerance of input channels is 1 ms.
-

■ Abbreviations

Abbr.	Reference	Description
Cat.	EN ISO 13849-1	Classification of the safety-related parts of a control system in respect of their resistance to faults and their subsequent behavior in the fault condition, and which is achieved by the structural arrangement of the parts, fault detection and/or by their reliability. The categories are: B, 1, 2, 3 and 4.
CCF	EN ISO 13849-1	Common cause failure (%)
DC	EN ISO 13849-1	Diagnostic coverage
FIT	IEC 61508	Failure in time: 1E-9 hours
HFT	IEC 61508	Hardware fault tolerance
MTTF _D	EN ISO 13849-1	Mean time to dangerous failure: (Total number of life units) / (Number of dangerous, undetected failures) during a particular measurement interval under stated conditions
PFD _{avg}	IEC 61508	Average probability of dangerous failure on demand
PFH	IEC 61508	Average frequency of dangerous failure per hour
PL	EN ISO 13849-1	Performance level. Levels a...e correspond to SIL
SC	IEC 61508	Systematic capability
SFF	IEC 61508	Safe failure fraction (%)
SIL	IEC 61508	Safety integrity level (1...3)
SILCL	EN 62061	Maximum SIL (level 1...3) that can be claimed for a safety function or subsystem
STO	IEC/EN 61800-5-2	Safe torque off
T ₁	IEC 61508	Proof test interval. T ₁ is a parameter used to define the probabilistic failure rate (PFH or PFD) for the safety function or subsystem. Performing a proof test at a maximum interval of T ₁ is required to keep the SIL capability valid. The same interval must be followed to keep the PL capability (EN ISO 13849) valid. Note that any T ₁ values given cannot be regarded as a guarantee or warranty. See also section Maintenance (page 146).

■ Declaration of conformity

Declaration of conformity is available on the Internet. Refer to [Document library on the Internet](#) on the inside of the back cover.

13

BAPO-01 power extension module

Contents of this chapter

This chapter contains a description and technical data of the optional BAPO-01 auxiliary power extension module. The chapter also contains references to the relevant other content elsewhere in the manual.

Safety instructions



WARNING! Obey the instructions in [Safety instructions](#) on page 11. If you ignore them, injury or death, or damage to the equipment can occur.

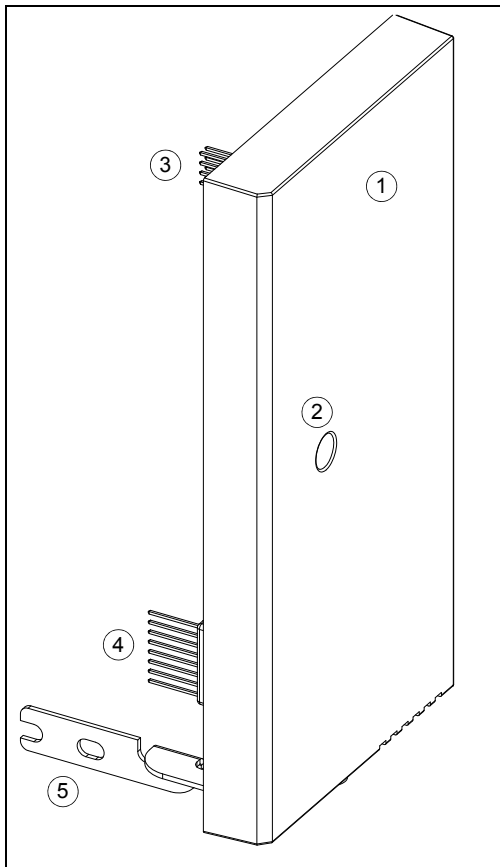
Hardware description

■ Product overview

The BAPO-01 auxiliary power extension module (option +L534) enables the use of an external auxiliary power supply with the drive. You need an external auxiliary power supply to keep the drive on during a power outage. Connect the auxiliary voltage supply to the +24V and DGND terminals on the drive.

If you change the drive parameters when the control board is energized with the BAPO module, force parameter saving with parameter 96.07 PARAM SAVE by setting the value to (1) SAVE. Otherwise, changed data will not be saved.

■ Layout



1. BAPO module
2. Locking screw hole
3. Internal X100 connector
4. Internal X102 connector
5. Grounding rail

Mechanical installation

Refer to [Option modules](#) on page 69.

Electrical installation

Connect the auxiliary voltage supply to the +24V and DGND terminals on the drive. Refer to [Option modules](#) on page 69. The BAPO module has internal connections to provide back-up power to the control board (I/O, fieldbus).

Start-up

To configure the BAPO module:

1. Power up the drive.
 2. Set the parameter 95.04 Control board supply to 1 (External 24V).
-

Technical data

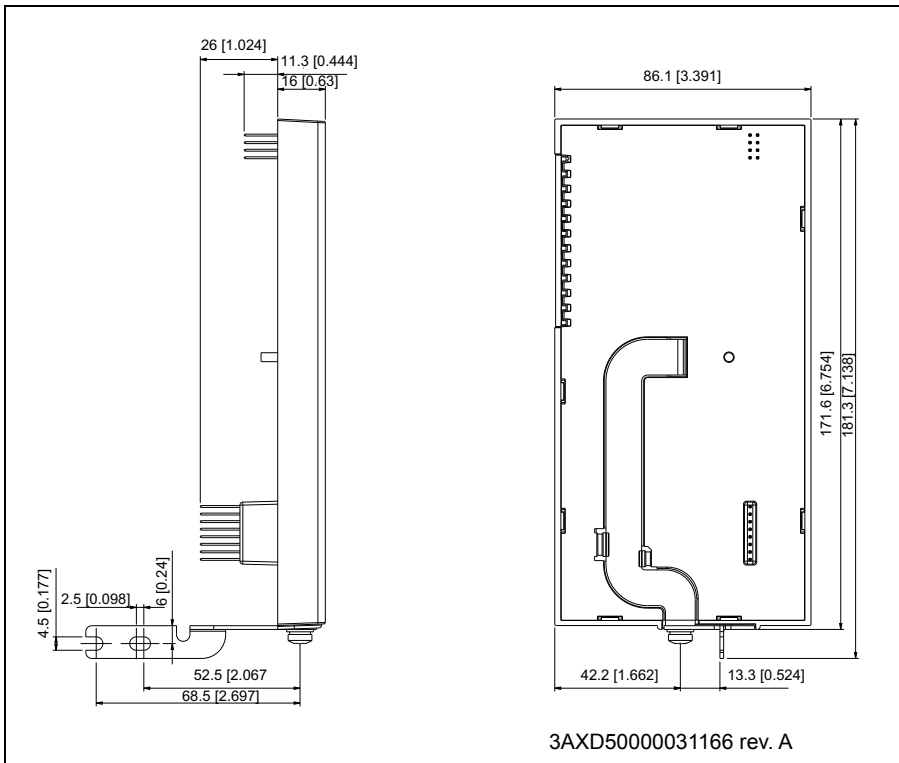
■ Voltage and current rating for the auxiliary power supply

Refer to *Option modules* on page 69.

■ Power loss

Power losses with maximum load 4 W.

■ Dimensions



14

BIO-01 I/O extension module

Contents of this chapter

This chapter contains a description and technical data of the optional BIO-01 I/O extension module. The chapter also contains references to the relevant other content elsewhere in the manual.

Safety instructions



WARNING! Obey the instructions in [Safety instructions](#) on page 11. If you ignore them, injury or death, or damage to the equipment can occur.

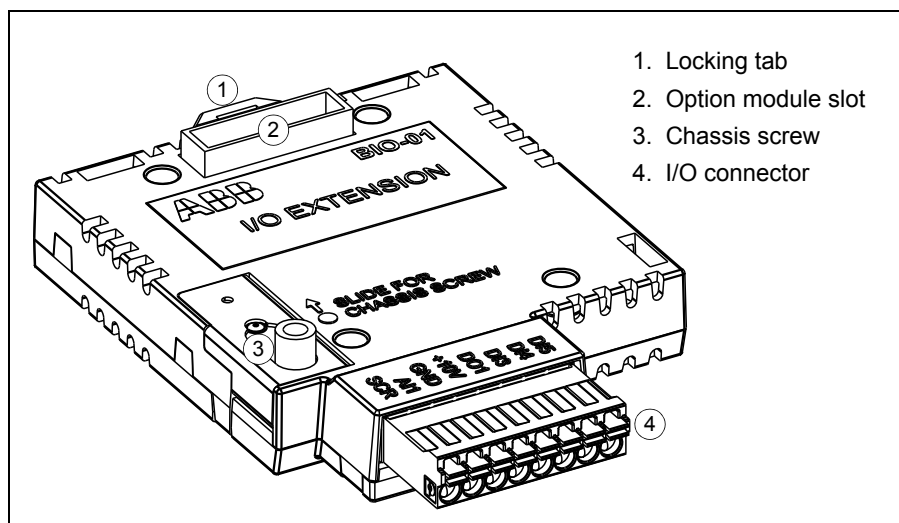
Hardware description

■ Product overview

The BIO-01 front option module (Option +L515) is an I/O extension module to be used with fieldbus. The BIO-01 option module is installed between the drive and the fieldbus module. The BIO-01 has three additional digital inputs (DI3, DI4 and DI5), one analog input (AI1) and one digital input (DO1) that is referred as DIO1 in the firmware (but works only in output mode). You can use DI4 and DI5 as frequency inputs and DO1 as a frequency output.

BIO-01 terminal block is removable and uses spring clamps for assembly.

■ Layout



Mechanical installation

Refer to [Option modules](#) on page 69.

Before you install the BIO-01 option module, make sure that the chassis screw slider is in the top position. After the option module is installed, tighten the chassis screw and move the slider to the bottom position.

The BIO-01 option module kit comes with a higher cable clamp plate. Use this cable clamp plate to ground the wires that connect to the BIO-01 option module.

Note: If you power up the drive before you install the BIO-01 option module or a fieldbus module, the drive gives a warning.

Electrical installation

Refer to [Electrical installation](#) on page 55. If you configure the inputs, set up the wiring accordingly. The BIO-01 module has removable spring clamp terminals. Use ferrules on the multistranded cables before assembly.

Sample wiring with the ABB standard macro:

Terminals External sample connection	Description	Base unit	Internal connection	
Aux. voltage output and prog. digital input				
+24V	Aux. output +24 V DC, max. 200 mA	X		
DGND	Aux. voltage output common	X		
DCOM	Digital input common for all	X		
DI1	Stop (0)/Start (1)	X		
DI2	Forward (0)/Reverse (1)	X		
Digital and analog I/O extension BIO-01				
DI3	Constant frequency/speed selection			
DI4	Constant frequency/speed selection			
DI5	Ramp set 1 (0)/Ramp set 2 (1)			
DO1	Not configured			
AI1	Output frequency/speed ref: 0...10 V			
+10V	Ref. voltage +10 V DC (max. 10 mA)			
GND	Analog circuit common / DO common			
SCR	Signal cable shield / DO screen			
Safe torque off (STO)				
SGND	Safe torque off. Factory connection.	X		
IN1	Both circuits must be closed for the drive to start.	X		
IN2		X		
OUT1		X		

Start-up

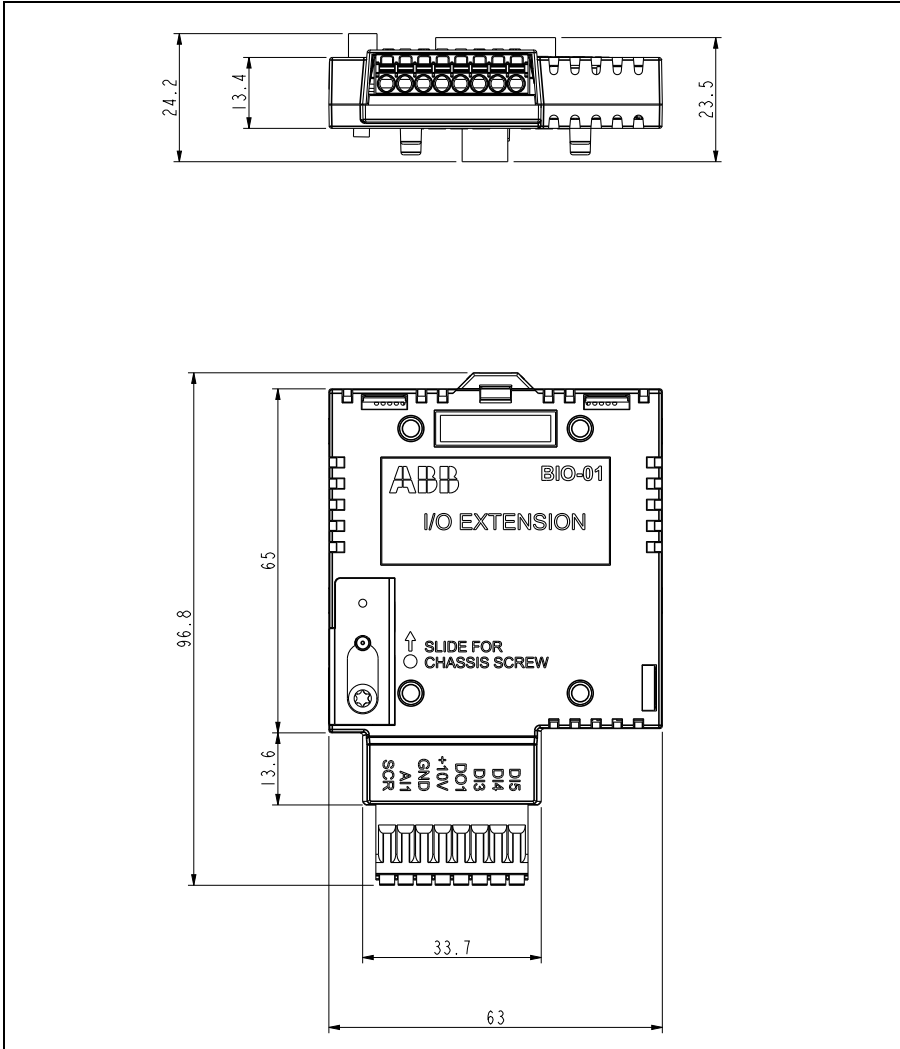
The BIO-01 module is automatically identified by the drive firmware. To configure the inputs refer to the *ACS480 firmware manual* (3AXD50000047399 [English]).

Technical data

Control connection data

For BIO-01 electrical data, refer to [Technical data](#) on page 83.

Dimensions



Note! BIO-01 is supplied with a high cover part (part no 3AXD50000190188) that increases the drive depth by 15 mm (0.6 in).

Further information

Product and service inquiries

Address any inquiries about the product to your local ABB representative, quoting the type designation and serial number of the unit in question. A listing of ABB sales, support and service contacts can be found by navigating to www.abb.com/searchchannels.

Product training

For information on ABB product training, navigate to new.abb.com/service/training.

Providing feedback on ABB Drives manuals

Your comments on our manuals are welcome. Navigate to new.abb.com/drives/manuals-feedback-form.

Document library on the Internet

You can find manuals and other product documents in PDF format on the Internet at www.abb.com/drives/documents.

Contact us

www.abb.com/drives

www.abb.com/drivespartners

3AXD50000047392 Rev B (EN) 2018-04-12